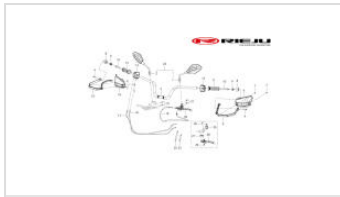




# **XPLORA 557 S NEGRA 2026**

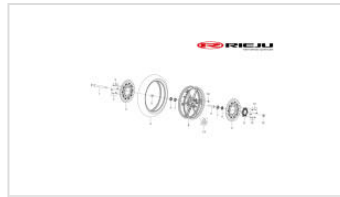
## **Exploded**



HANDLEBAR



FRONT SUSPENSION



FRONT WHEEL



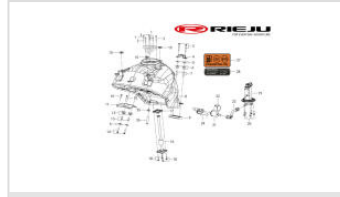
BRAKING SYSTEM



EXHAUST



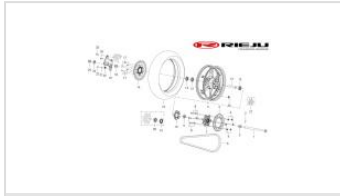
INTAKE



FUEL TANK



SWING ARM



REAR WHEEL



CHASSIS



CHASSIS FRONT PART



REAR CHASSIS



SIDESTAND



FOOTREST LEFT SIDE



FOOTREST RIGHT SIDE



BRAKE PEDAL



FRONT MUDGUARD



FRONT BUBBLE



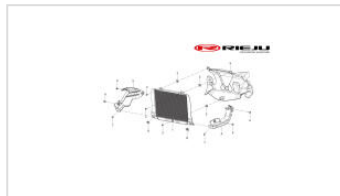
FRONT COVER



FRONT COVERS ASSY.



TANK COVER ASSEMBLY



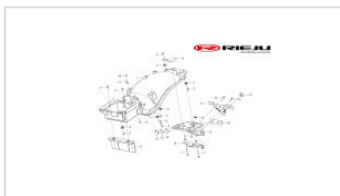
FRONT COVERS ASSY.



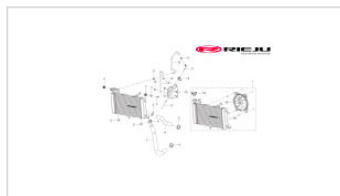
CHASSIS TRIM KIT



SET OF SIDE COVERS



REAR MUDGUARD ASSY.



COOLING SYSTEM



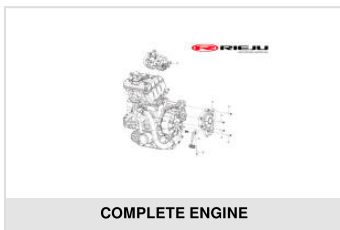
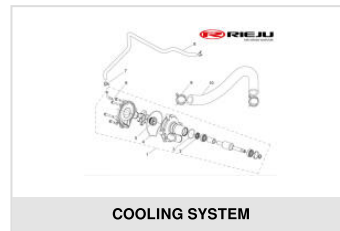
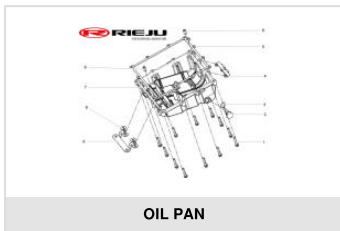
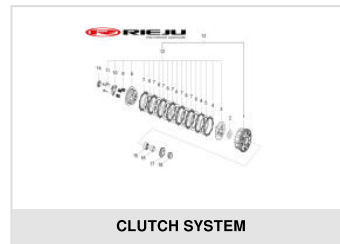
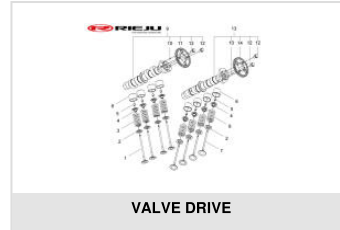
ELECTRICAL SYSTEM



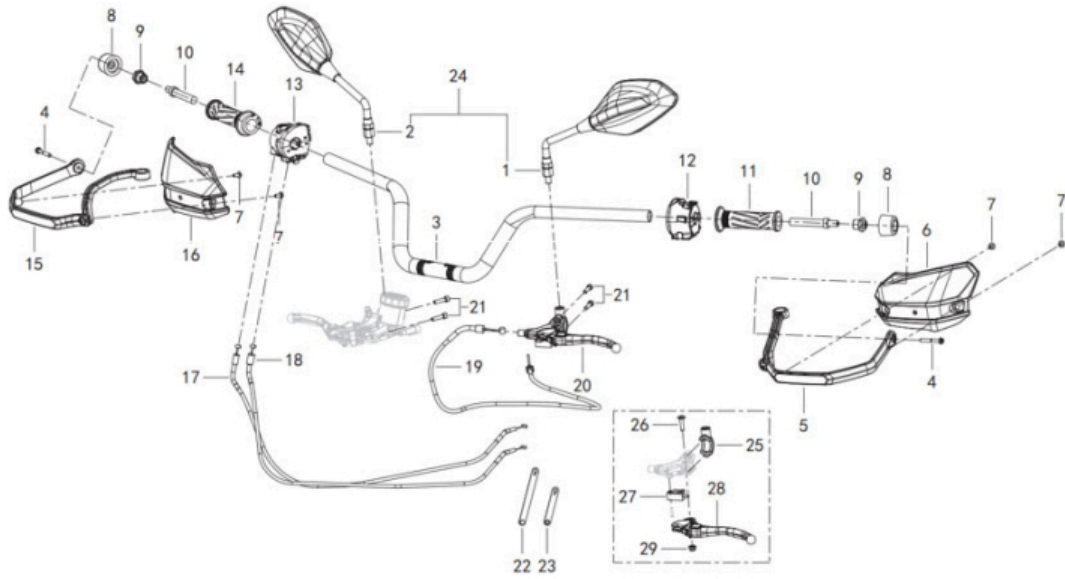
ELECTRICAL EQUIPMENT SET



**MOTOR XPLORA 557**



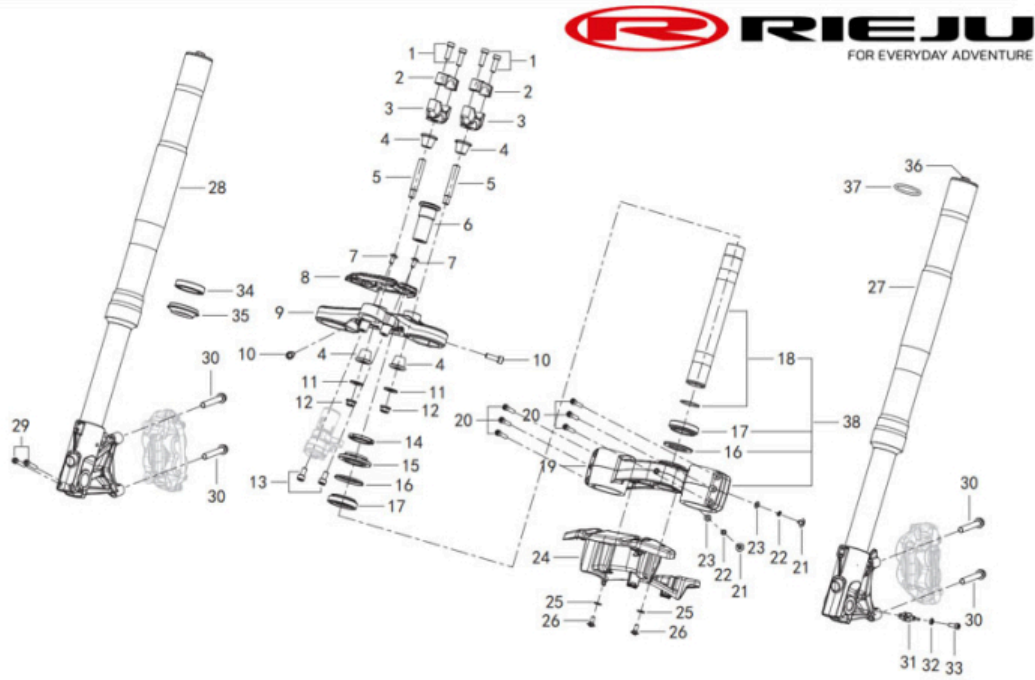
**HANDLEBAR**



1	LEFT MIRROR 0/000.990.4601 (u. 1)
2	REARVIEW MIRROR RH 0/000.990.4602 (u. 1)
3	HANDLEBAR XPLORA 0/000.170.4601 (u. 1)
4	HEXAGON SOCKET HEAD SCREW M6x40 0/000.460.46076 (u. 2)
5	HANDGUARD SUPPORT LH 0/000.980.4608 (u. 1)
6	HANDGUARD LH 0/000.770.4601 (u. 1)
7	TORX SCREW WITH WASHER M5x12 BLACK ZINC 0/000.460.46002 (u. 4)
8	HANDLEBAR WEIGHT 0/000.170.4602 (u. 2)
9	HANDLEBAR END WEIGHT NUT 0/000.340.46003 (u. 2)
10	HANDLEBAR COUNTERWEIGHT AXLE 0/000.190.4602 (u. 2)
11	LEFT HANDLE GRIP 0/000.530.4601 (u. 1)
12	COMBINED LH SWITCH 0/000.720.4601 (u. 1)
13	COMBINED SWITCH RH 0/000.720.4602 (u. 1)
14	RH GRIP 0/000.530.4602 (u. 1)
15	HANDGUARD BRACKET RH 0/000.980.4609 (u. 1)
16	HANDGUARDS RH 0/000.770.4602 (u. 1)

17	GAS CABLE 1 0/000.550.4601 (u. 1)
18	THROTTLE CABLE 2 0/000.550.4602 (u. 1)
19	CLUTCH CABLE 0/000.550.4603 (u. 1)
20	CLUTCH LEVER SET 0/000.830.4604 (u. 1)
21	TORX CYLINDRICAL HEAD SCREW M6x25 0/000.460.46111 (u. 4)
22	RUBBER CLAMP FOR CABLE FIXATION 0/000.680.4623 (u. 2)
23	CABLE CLAMP RUBBER 1 0/000.680.4614 (u. 2)
24	SET REARVIEW MIRRORS 0/000.990.4603 (u. 1)
25	CLUTCH LEVER SUPPORT 0/000.980.4610 (u. 1)
26	CLUTCH LEVER SCREW 0/000.460.46015 (u. 1)
27	CLUTCH SWITCH 0/001.200.4609 (u. 1)
28	CLUTCH LEVER 0/000.830.4602 (u. 1)
29	SELF-LOCKING NUT M6 0/000.340.46004 (u. 1)

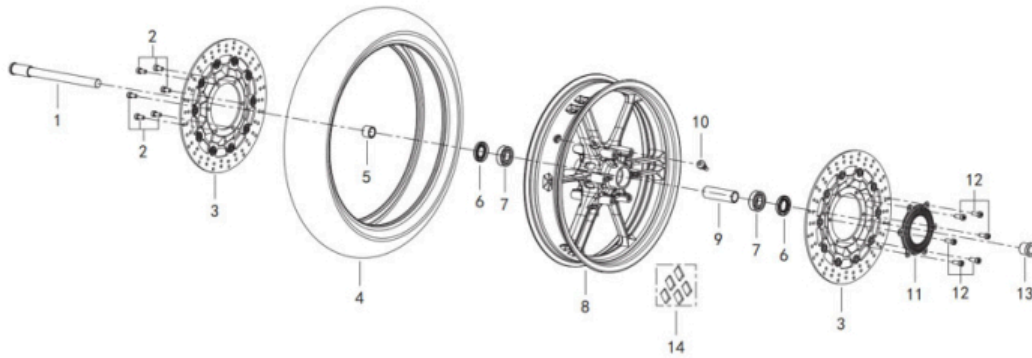
**FRONT SUSPENSION**



1	TORX CYLINDRICAL HEAD SCREW M8x25 0/000.460.46016 (u. 4)
2	UPPER HANDLEBAR BRIDGE 0/000.350.4603 (u. 2)
3	LOWER HANDLEBAR CLAMP 0/000.350.4604 (u. 2)
4	UPPER PLATE SILENTBLOCK 0/000.360.4602 (u. 4)
5	THREADED STEM UPPER CLAMP 0/000.190.4603 (u. 2)
6	UPPER STEERING NUT 0/000.340.46005 (u. 1)
7	FLAT HEAD SCREW TPRZ M6x14 0/000.460.46035 (u. 2)
8	UPPER PLATE TRIM 0/000.570.4602 (u. 1)
9	UPPER TRIPLE CLAMP 0/000.660.4602 (u. 1)
10	TORX CYLINDRICAL HEAD SCREW M8x25 0/000.460.46115 (u. 2)
11	UPPER PLATE FIXING WASHER 0/000.440.46003 (u. 2)
12	SELF-LOCKING NUT M10 × 1.25 0/000.340.46002 (u. 2)
13	TORX CYLINDRICAL HEAD SCREW M8x16 0/000.460.46113 (u. 2)
14	STEERING LOCKNUT 0/000.340.46006 (u. 1)
15	LOWER STEERING NUT 0/000.340.46007 (u. 1)
16	LOWER STEERING DUST COVER 0/000.200.4601 (u. 2)

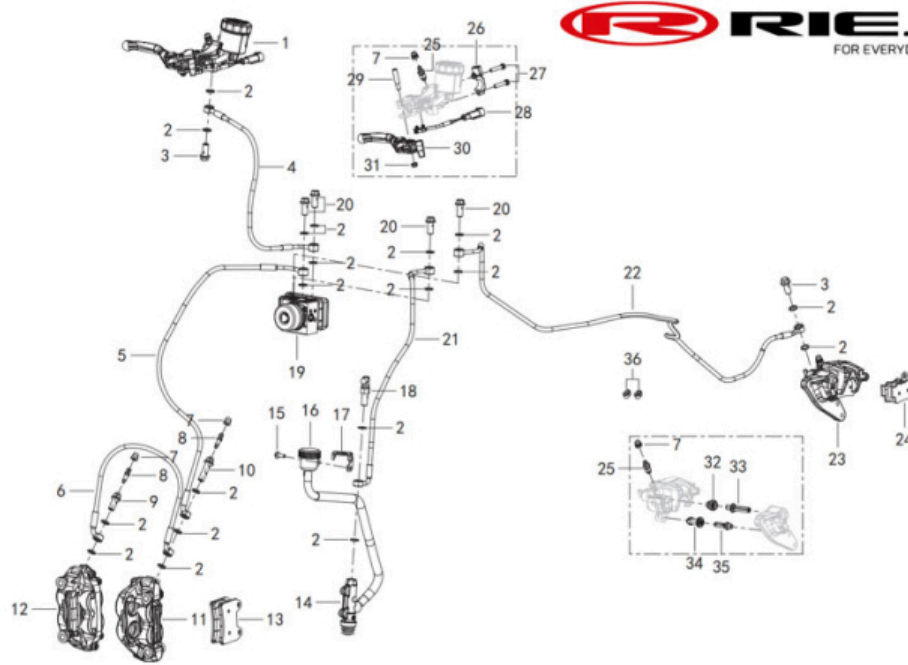
17	LOWER STEERING BEARING 0/000.960.4603 (u. 2)
18	STEERING AXLE + WASHER 0/000.190.4604 (u. 1)
19	LOWER TRIPLE CLAMP 0/000.660.4603 (u. 1)
20	TORX CYLINDRICAL HEAD SCREW M6x25 0/000.460.46111 (u. 6)
21	SCREW M6X8 0/000.460.46120 (u. 2)
22	GASKET Ø6 0/000.490.4609 (u. 2)
23	SPRING WASHER M6 0/000.440.46004 (u. 2)
24	LOWER FENDER STEERING PLATE 0/000.570.4603 (u. 1)
25	PLASTIC FIXING O-RING 0/000.490.4615 (u. 2)
26	FLAT TORX SCREW WITH CENTERING M6x15 0/000.460.46037 (u. 2)
27	SUSPENSION LH XPLORA 557 0/000.130.4601 (u. 1)
28	SUSPENSION RH XPLORA 557 0/000.130.4602 (u. 1)
29	TORX CYLINDRICAL HEAD SCREW M6x30 0/000.460.46112 (u. 2)
30	SCREW M10x1.25x55 0/000.460.46017 (u. 4)
31	FRONT/REAR WHEEL SPEED SENSOR 0/001.010.4609 (u. 1)
32	SPEED SENSOR GASKET 0/000.490.4610 (u. 3)
33	TORX CYLINDRICAL HEAD SCREW M6x16 0/000.460.46109 (u. 1)
34	OIL SEAL FORK 0/000.300.4604 (u. 2)
35	LOWER FORK DUST COVER 0/000.200.4602 (u. 2)
36	UPPER FORK CAP 0/000.410.4603 (u. 2)
37	UPPER FORK O-RING 0/000.490.4611 (u. 2)
38	COMPLETE LOWER TRIPLE CLAMP 0/000.660.4601 (u. 1)

**FRONT WHEEL**



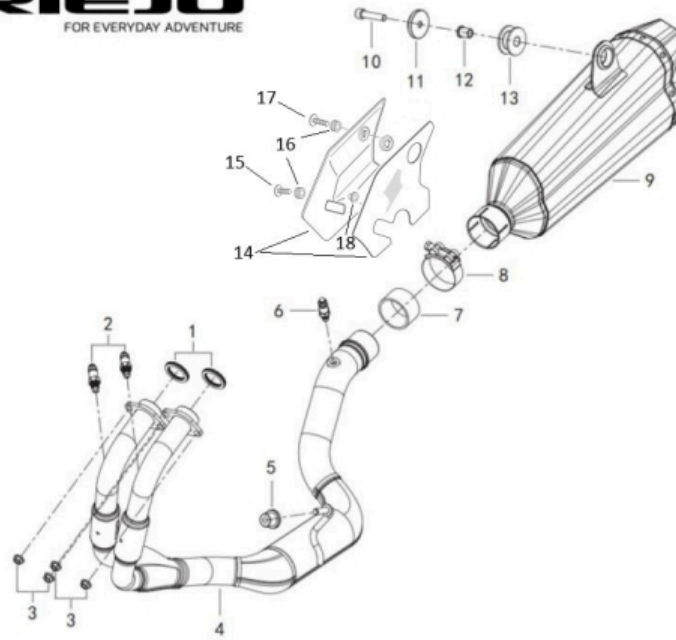
1	<p><b>FRONT WHEEL AXLE</b> 0/000.190.4605 (u. 1)</p>
2	<p><b>SCREW ISO 14579 M8X16 TORX</b> 0/000.460.46009 (u. 6)</p> <p><b>SCREW SPEC. DIN 912 TORX M8x20 BLACK ZINC</b> 0/000.460.46004 (u. 6)</p>
3	<p><b>FRONT DISC BRAKE (1 UNIT)</b> 0/001.090.4601 (u. 2)</p>
4	<p><b>FRONT COVER</b> 0/000.510.4601 (u. 1)</p>
5	<p><b>RH FRONT WHEEL SPACER</b> 0/000.480.4605 (u. 1)</p>
6	<p><b>FRONT WHEEL SEAL</b> 0/000.300.4603 (u. 2)</p>
7	<p><b>FRONT WHEEL BEARINGS</b> 0/000.960.4601 (u. 2)</p>
8	<p><b>FRONT WHEEL XPLORA 557</b> 0/000.230.4601 (u. 1)</p>
9	<p><b>FRONT WHEEL CENTER SPACER</b> 0/000.480.4604 (u. 1)</p>
10	<p><b>TUBELESS VALVE XPLORA</b> 0/000.640.4603 (u. 1)</p>
11	<p><b>FRONT SPEED SENSOR DISC XPLORA 557</b> 0/001.090.4602 (u. 1)</p>
12	<p><b>SCREW SPEC. DIN 912 TORX M8x20 BLACK ZINC</b> 0/000.460.46004 (u. 6)</p>
13	<p><b>SEPARATOR LH FRONT WHEEL</b> 0/000.480.4606 (u. 5)</p>

**BRAKING SYSTEM**



1	SET FRONT BRAKE LEVER 0/000.820.4601 (u. 1)
2	COPPER WASHER BRAKE SYSTEM 0/000.440.46005 (u. 19)
3	BRAKE FITTING SCREW 0/000.460.46018 (u. 2)
4	FRONT BRAKE PUMP TUBE TO ABS MODULE 0/000.290.4608 (u. 1)
5	ABS MODULE PIPE TO FRONT BRAKE CALIPER 0/000.290.4609 (u. 1)
6	FRONT CALIPER UNION PIPE 0/000.290.4610 (u. 1)
7	BLEEDER SCREW BRAKE CALIPER 0/000.410.4604 (u. 4)
8	BRAKE CALIPER BLEEDER 0/000.410.4605 (u. 2)
9	BRAKE CALIPER CONNECTOR SCREW 2 0/000.460.46020 (u. 1)
10	BRAKE CALIPER CONNECTOR SCREW 1 0/000.460.46019 (u. 1)
11	FRONT BRAKE CALIPER LH 0/000.860.4603 (u. 1)
12	FRONT BRAKE CALIPER RH 0/000.860.4604 (u. 1)
13	FRONT BRAKE PADS (1 SET) 0/000.930.4603 (u. 2)
14	REAR BRAKE PUMP 0/000.820.4602 (u. 1)
15	TORX SCREW WITH WASHER M5x16 BLACK ZINC 0/000.460.46003 (u. 1)
16	REAR BRAKE FLUID RESERVOIR CAP 0/000.410.4606 (u. 1)
17	REAR BRAKE FLUID RESERVOIR CAP PROTECTOR 0/000.350.4605 (u. 1)

18	REAR BRAKE SWITCH 0/001.200.4610 (u. 1)
19	ABS MODULE XPLORA 557 0/000.640.4604 (u. 1)
20	SCREW CONNECTOR ABS MODULE 0/000.460.46021 (u. 4)
21	ABS MODULE PIPE TO REAR BRAKE PUMP 0/000.290.4611 (u. 1)
22	ABS MODULE PIPE TO REAR BRAKE CALIPER 0/000.290.4612 (u. 1)
23	REAR BRAKE CALIPER 0/000.860.4606 (u. 1)
24	REAR BRAKE PADS (1 SET) 0/000.930.4604 (u. 1)
25	FRONT BRAKE PUMP BLEEDER 0/000.410.4607 (u. 2)
26	BRAKE LEVER SUPPORT 0/000.980.4611 (u. 1)
27	ALLEN CYLINDRICAL HEAD SCREW M6x25 0/000.460.46119 (u. 2)
28	FRONT BRAKE SWITCH 0/001.200.4611 (u. 1)
29	FRONT BRAKE LEVER AXLE 0/000.190.4606 (u. 1)
30	BRAKE LEVER 0/000.830.4603 (u. 1)
31	SELF-LOCKING NUT M6 0/000.340.46004 (u. 1)
36	HOSE CLIP 0/000.630.4603 (u. 5)

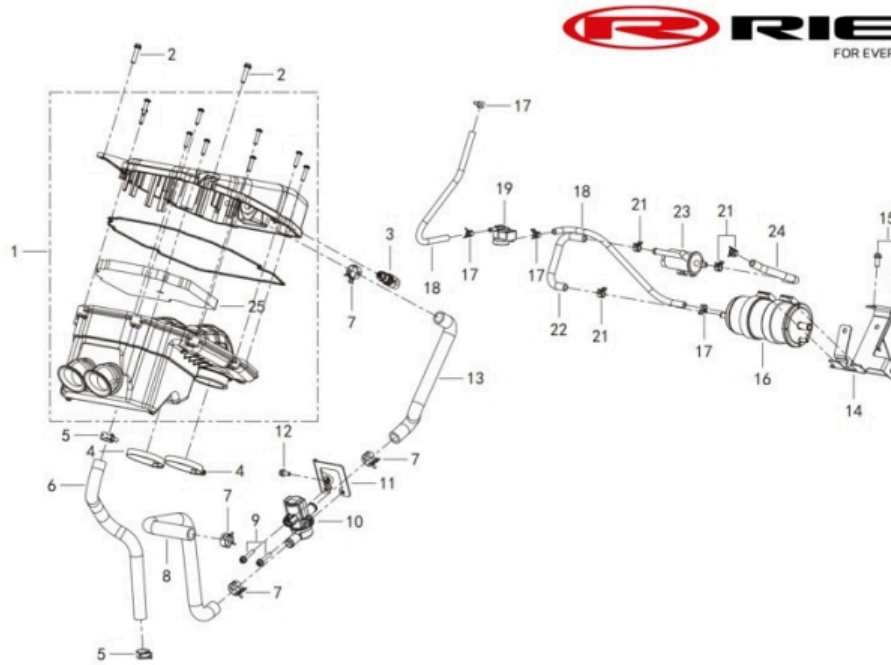
**EXHAUST**

1	COLLECTOR GASKET 0/000.490.4612 (u. 2)
2	LAMBDA SENSOR 0/001.010.4603 (u. 2)
3	NUT M8 0/000.340.46018 (u. 4)
4	EXHAUST PIPE XPLORA 557 0/000.290.4613 (u. 1)
5	SILENTBLOCK COLLECTOR 0/000.360.4603 (u. 1)
6	LAMBDA SENSOR 2 0/001.010.4610 (u. 1)
7	GASKET GRAPHITE COLLECTOR TO MUFFLER 0/000.490.4613 (u. 1)
8	COLLECTOR CLAMP 0/000.680.4622 (u. 1)
9	SILENCER XPLORA 557 0/000.870.4601 (u. 1)
10	TORX CYLINDRICAL HEAD SCREW M10x45 0/000.460.46117 (u. 1)
11	SILENCER WASHER 0/000.440.46006 (u. 1)
12	SILENCER BUSHING 0/000.480.4607 (u. 1)
13	SILENCER SILENTBLOCK 0/000.360.4604 (u. 1)
14	EXHAUST THERMAL PROTECTOR 0/000.220.4628 (u. 1)
15	SCREW + WASHER M6x12 0/000.460.46185 (u. 1)
16	SILENTBLOCK Ø9x5.5 0/000.360.4628 (u. 2)
17	SCREW + WASHER M6x16 0/000.460.46186 (u. 1)

18

BUSHING Ø7xØ9x6.5  
0/000.480.4655 (u. 1)

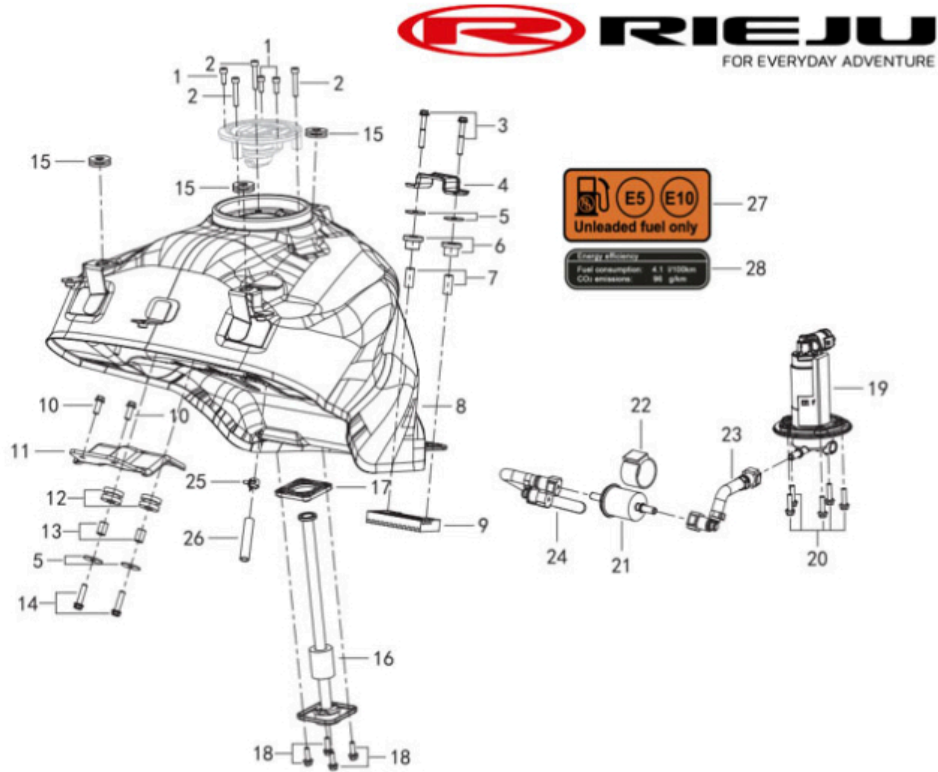
## INTAKE



1	SET FILTER BOX 0/000.910.4601 (u. 1)
2	INTERNAL HEXAGONAL SCREW M6x25 0/000.460.46073 (u. 2)
3	AIR TEMPERATURE SENSOR 0/001.010.4605 (u. 1)
4	WORM GEAR CLAMP 40-60 0/000.680.4606 (u. 2)
5	CLAMP Ø18.5 0/000.680.4607 (u. 2)
6	EXHAUST GAS RECOVERY PIPE 0/000.290.4614 (u. 1)
7	CLAMP Ø19.3 0/000.680.4608 (u. 4)
8	CYLINDER HEAD TO AIS VALVE PIPE 0/000.290.4615 (u. 1)
9	HEXAGONAL TORX SCREW WITH WASHER M5x25 0/000.460.46042 (u. 2)
10	AIS SOLENOID VALVE 0/000.640.4602 (u. 1)
11	SUPPORT AIS VALVE 0/000.980.4612 (u. 1)
12	SCREW SUPPORT AIS VALVE M5x12 0/000.460.46022 (u. 1)
13	AIS VALVE PIPE TO FILTER BOX 0/000.290.4616 (u. 1)
14	CANISTER VALVE BRACKET 0/000.980.4613 (u. 1)
15	TORX HEXAGONAL SCREW WITH WASHER M6x14 0/000.460.46043 (u. 2)
16	CANISTER VALVE 0/000.640.4605 (u. 1)
17	CLAMP Ø8 0/000.680.4609 (u. 4)

18	CANISTER TUBE TO DISCHARGE VALVE 0/000.290.4617 (u. 2)
19	DISCHARGE VALVE 0/000.640.4606 (u. 1)
21	CLAMP Ø11 0/000.680.4610 (u. 4)
22	CANISTER TUBE TO SOLENOID 0/000.290.4618 (u. 1)
23	SOLENOID VALVE CANISTER 0/000.640.4607 (u. 1)
24	SOLENOID TUBE TO INJECTION BODY 0/000.290.4619 (u. 1)
25	AIR FILTER 0/001.070.4602 (u. 1)

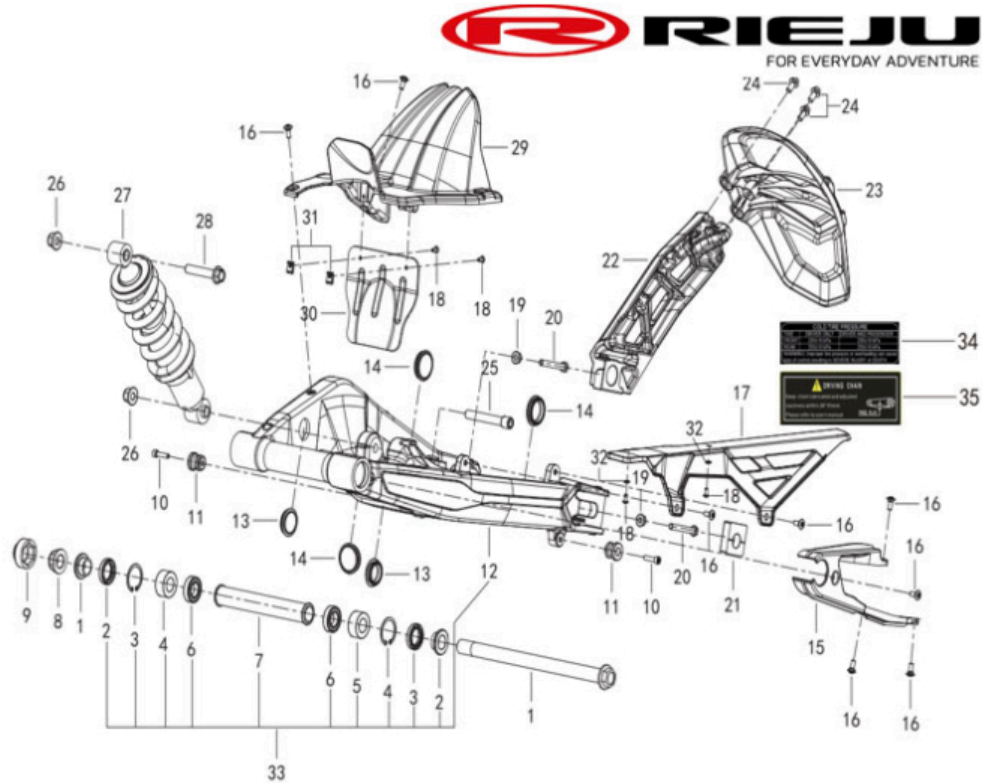
**FUEL TANK**



1	TORX CYLINDRICAL HEAD SCREW M5x14 0/000.460.46106 (u. 3)
2	TORX SCREW CYLINDRICAL HEAD M5x30 0/000.460.46108 (u. 3)
3	HEXAGON SOCKET HEAD SCREW M6x40 0/000.460.46076 (u. 2)
4	SEAT MOUNTING BRACKET 0/000.980.4614 (u. 1)
5	TANK MOUNTING BRACKET GASKET 0/000.490.4607 (u. 4)
6	SILENTBLOCK FUEL TANK MOUNTING 0/000.360.4605 (u. 2)
7	TANK MOUNTING BUSHING 0/000.480.4608 (u. 2)
8	FUEL TANK 0/000.030.4602 (u. 1)
9	GAS TANK SUPPORT RUBBER 0/000.360.4608 (u. 1)
10	INTERNAL HEXAGONAL SCREW M6x16 0/000.460.46071 (u. 2)
11	FRONT SUPPORT FUEL TANK 0/000.980.4615 (u. 1)
12	FRONT TANK MOUNT SILENTBLOCK 0/000.360.4606 (u. 2)
13	FRONT TANK MOUNTING BUSHING 0/000.480.4609 (u. 2)
14	FRONT TANK MOUNTING BUSHING 0/000.480.4609 (u. 2)
15	SILENTBLACK SUPERIOR FUEL TANK 0/000.360.4607 (u. 3)

16	FUEL LEVEL SENSOR 0/001.010.4606 (u. 1)
17	GASKET FUEL PUMP SENSOR 0/000.490.4606 (u. 1)
18	TORX HEXAGONAL SCREW WITH WASHER M5x16 0/000.460.46040 (u. 4)
19	FUEL TANK PUMP 0/000.860.4605 (u. 1)
20	TORX HEXAGONAL SCREW WITH WASHER M5x20 0/000.460.46041 (u. 5)
21	FUEL FILTER 0/001.070.4603 (u. 1)
22	FUEL FILTER SUPPORT 0/000.980.4616 (u. 1)
23	FUEL PUMP TO FILTER PIPE 0/000.290.4620 (u. 1)
24	FUEL PIPE 0/000.290.4621 (u. 1)
25	CLAMP Ø11 0/000.680.4610 (u. 1)
26	FUEL TANK PIPE 0/000.290.4622 (u. 1)
27	LENTICULAR DECAL SET XPLORA 0/000.390.4601 (u. 1)
28	GASOLINE CONSUMPTION DECAL 557 0/000.390.4602 (u. 1)

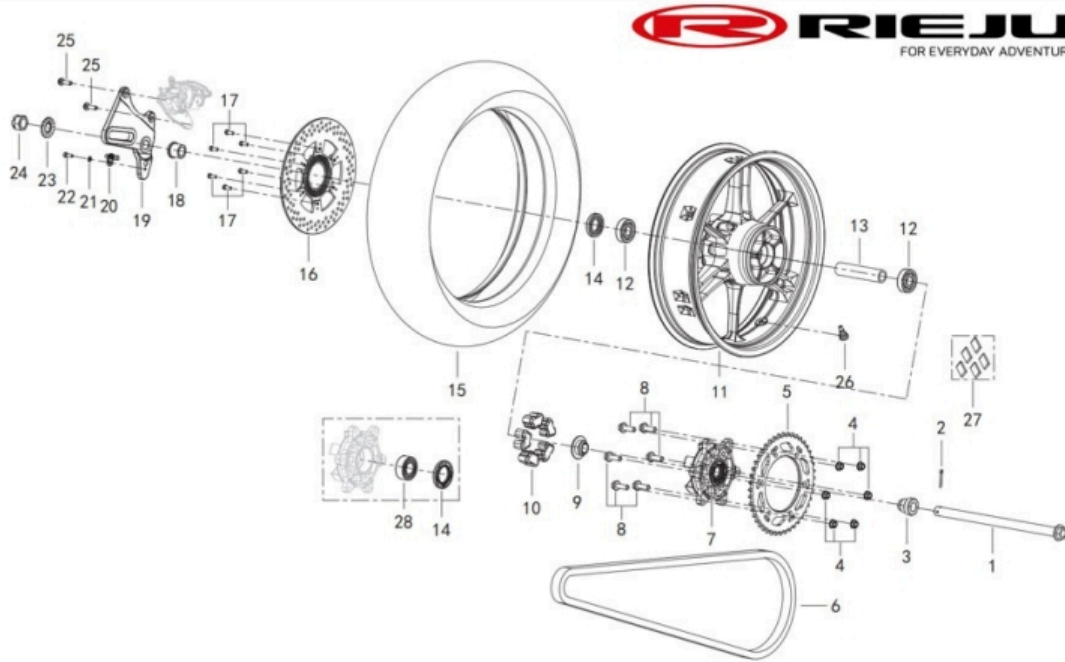
**SWING ARM**



1	SWINGARM AXLE 0/000.190.4601 (u. 1)
2	SWINGARM AXLE SPACER 0/000.480.4611 (u. 2)
3	SWINGARM SHAFT SEAL 0/000.300.4606 (u. 2)
4	CIRCLIP Ø37 SWINGARM AXLE 0/000.300.4605 (u. 2)
5	NEEDLE BEARING SWINGARM AXLE 0/000.960.4604 (u. 2)
6	PIVOT SHAFT BEARING 0/000.960.4605 (u. 2)
7	INTERMEDIATE SWINGARM SPACER 0/000.480.4610 (u. 1)
8	SELF-LOCKING NUT M20x1.5 0/000.340.46001 (u. 1)
9	SWINGARM AXLE CAP 0/000.410.4601 (u. 1)
10	TORX CYLINDRICAL HEAD SCREW M6x25 0/000.460.46111 (u. 2)
11	SUPPORT BUSHING SWINGARM ARM 0/000.480.4612 (u. 2)
12	SWINGARM 0/000.020.4601 (u. 1)
13	SWINGARM CAP 0/000.410.4608 (u. 2)
14	SWINGARM CAP 2 0/000.410.4609 (u. 3)
15	CHAIN SLIDER RUBBER 0/000.360.4609 (u. 1)

16	FLAT TORX SCREW WITH CENTERING M6x15 0/000.460.46037 (u. 8)
17	CHAIN GUARD 0/000.350.4606 (u. 1)
18	PHILIPS SCREW PLASTIC THREAD 4.2x10 0/000.460.46121 (u. 4)
19	NUT M8 0/000.340.46018 (u. 2)
20	CHAIN TENSIONER SCREW M8 0/000.460.46006 (u. 2)
21	CHAIN TENSIONER BLOCK 0/000.380.4602 (u. 1)
22	REAR FENDER BRACKET 0/000.980.4617 (u. 1)
23	LOWER REAR FENDER 0/000.060.4601 (u. 1)
24	TORN.ESP. DIN 6921 Hex.10 TX40 M8x16 Cal.10.9 GEOMET 0/000.460.9192 (u. 3)
	HEX SCREW WITH FLANGE EN 1665 - M8x16 (WHITE ZINC) 0/000.460.3871 (u. 3)
	TORX HEXAGONAL SCREW WITH WASHER M8x16 0/000.460.46046 (u. 3)
25	LOWER SHOCK ABSORBER BOLT 0/000.460.46023 (u. 1)
26	SELF-LOCKING NUT M12 0/000.340.46008 (u. 2)
27	REAR SHOCK ABSORBER 0/000.180.4601 (u. 1)
28	REAR SHOCK ABSORBER SCREW 0/000.460.46013 (u. 1)
29	INNER FENDER WHEEL ARCH 0/000.060.4602 (u. 1)
30	SHOCK ABSORBER PROTECTOR 0/000.360.4610 (u. 1)
31	QUICK NUT 4.2 0/000.340.46009 (u. 2)
32	WASHER Ø5 0/000.440.46007 (u. 2)
33	SET SWINGARM COMPONENTS 0/000.480.4602 (u. 1)
34	TIRE PRESSURE DECAL 0/000.390.4603 (u. 1)
35	CHAIN ADJUSTMENT DECAL 0/000.390.4604 (u. 1)

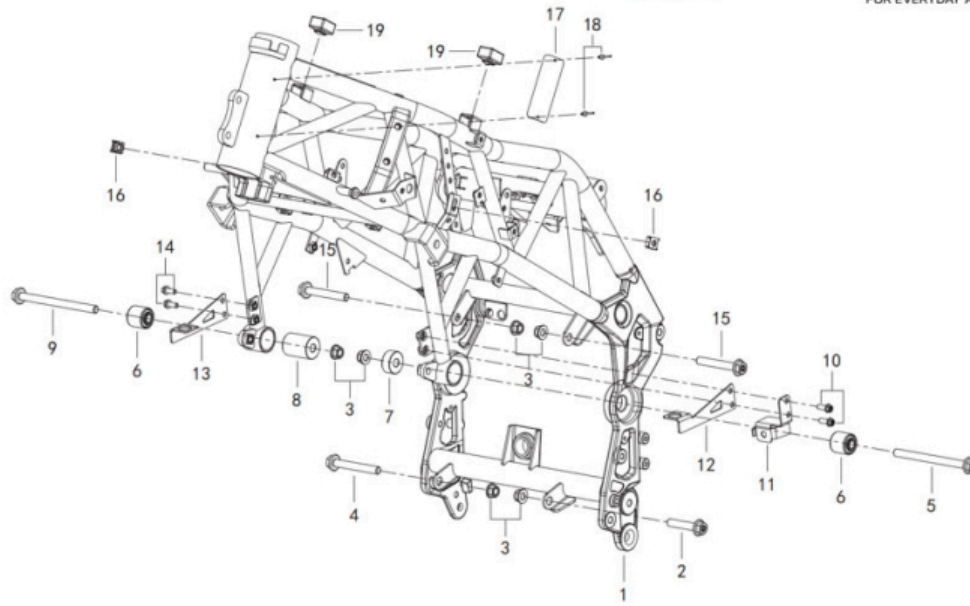
**REAR WHEEL**



1	REAR WHEEL AXLE 0/000.190.4607 (u. 1)
2	SWINGARM AXLE PIN 0/000.840.4601 (u. 1)
3	LEFT REAR WHEEL AXLE SPACER 0/000.480.4603 (u. 1)
4	SELF-LOCKING NUT M10 x 1.25 0/000.340.46002 (u. 6)
5	DRIVE SPROCKET XPLORA 557 0/000.500.4601 (u. 1)
6	CHAIN XPLORA 557 0/001.050.4601 (u. 1)
7	SPROCKET SUPPORT 0/000.980.4603 (u. 1)
8	SCREW M10x1.25x30 0/000.460.46010 (u. 6)
9	REAR WHEEL AXLE BUSHING 0/000.480.4613 (u. 1)
10	SILENTBLOCK SPACER PLATE 0/000.360.4601 (u. 5)
11	REAR WHEEL XPLORA 557 0/000.230.4602 (u. 1)
12	REAR WHEEL BEARINGS 0/000.960.4602 (u. 2)
13	CENTRAL SEPARATOR REAR WHEEL AXLE 0/000.480.4614 (u. 1)
14	REAR WHEEL SEAL 0/000.300.4602 (u. 2)
15	REAR COVER 0/000.510.4602 (u. 1)
16	REAR DISC BRAKE XPLORA 557 0/001.090.4603 (u. 1)
17	REAR DISC BRAKE FIXING SCREW 0/000.460.46024 (u. 6)

18	RH REAR WHEEL SPACER 0/000.480.4615 (u. 1)
19	REAR BRAKE CALIPER BRACKET 0/000.980.4618 (u. 1)
20	FRONT/REAR WHEEL SPEED SENSOR 0/001.010.4609 (u. 1)
21	SPEED SENSOR GASKET 0/000.490.4610 (u. 3)
22	TORX CYLINDRICAL HEAD SCREW M6x16 0/000.460.46109 (u. 1)
23	DENTED WASHER REAR WHEEL CALIPER 0/000.440.46002 (u. 1)
24	NUT REAR WHEEL SHAFT 0/000.340.46010 (u. 1)
25	TORX SCREW CONICAL HEAD WITH WASHER M8x25 0/000.460.46038 (u. 2)
26	TUBELESS VALVE XPLORA 0/000.640.4603 (u. 1)
28	REAR SPROCKET SUPPORT BEARING + SEAL 0/000.960.4606 (u. 1)

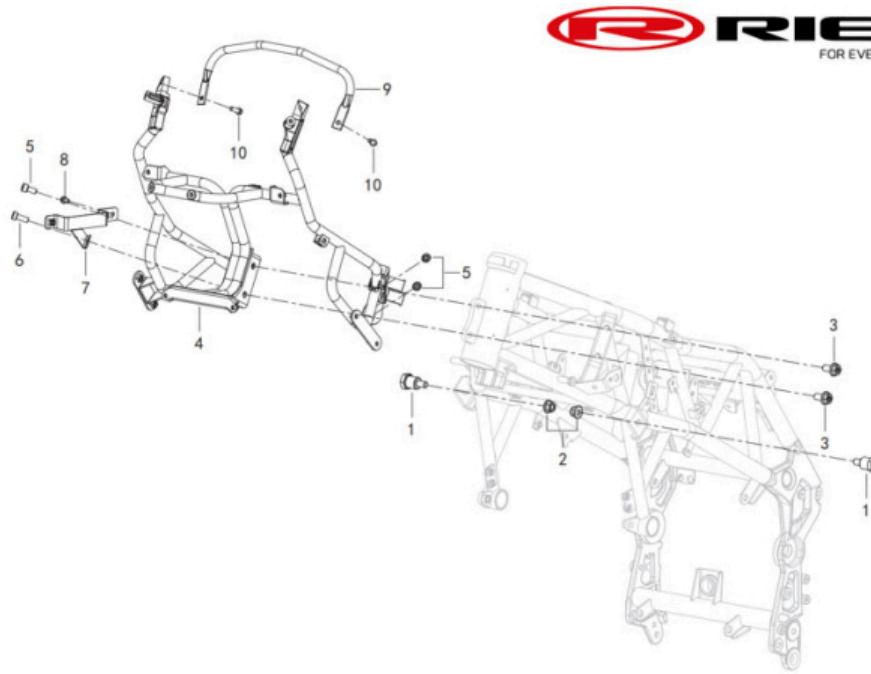
**CHASSIS**



1	CHASSIS XPLORA 557 0/000.010.4601 (u. 1)	
2	TORX HEXAGONAL SCREW WITH WASHER M10x1.25x50 0/000.460.46051 (u. 1)	
3	SELF-LOCKING NUT M10 x 1.25 0/000.340.46011 (u. 6)	Obsolete
	SELF-LOCKING NUT M10 x 1.25 0/000.340.46002 (u. 6)	
4	TORX HEXAGONAL SCREW WITH WASHER M10x1.25x75 0/000.460.46053 (u. 1)	
5	TORX HEXAGONAL SCREW WITH WASHER M10x1.25x125 0/000.460.46054 (u. 1)	
6	SILENTBLOCK CHASSIS 0/000.360.4611 (u. 2)	
7	CHASSIS ENGINE SEPARATOR LH 0/000.480.4616 (u. 1)	
8	ENGINE CHASSIS SEPARATOR RH 0/000.480.4617 (u. 1)	
9	TORX HEXAGONAL SCREW WITH WASHER M10x1.25x130 0/000.460.46055 (u. 1)	
10	INTERNAL HEXAGONAL SCREW M6x16 0/000.460.46071 (u. 2)	
11	HORN BRACKET 0/000.980.4645 (u. 1)	
12	LH RADIATOR BRACKET 0/000.980.4619 (u. 1)	
13	RH RADIATOR SUPPORT 0/000.980.4620 (u. 1)	
14	TORX HEXAGONAL SCREW WITH WASHER M6x14 0/000.460.46043 (u. 2)	
15	TORX HEXAGONAL SCREW WITH WASHER M10x1.25x68 0/000.460.46052 (u. 2)	
16	QUICK NUT M6 0/000.340.46012 (u. 2)	

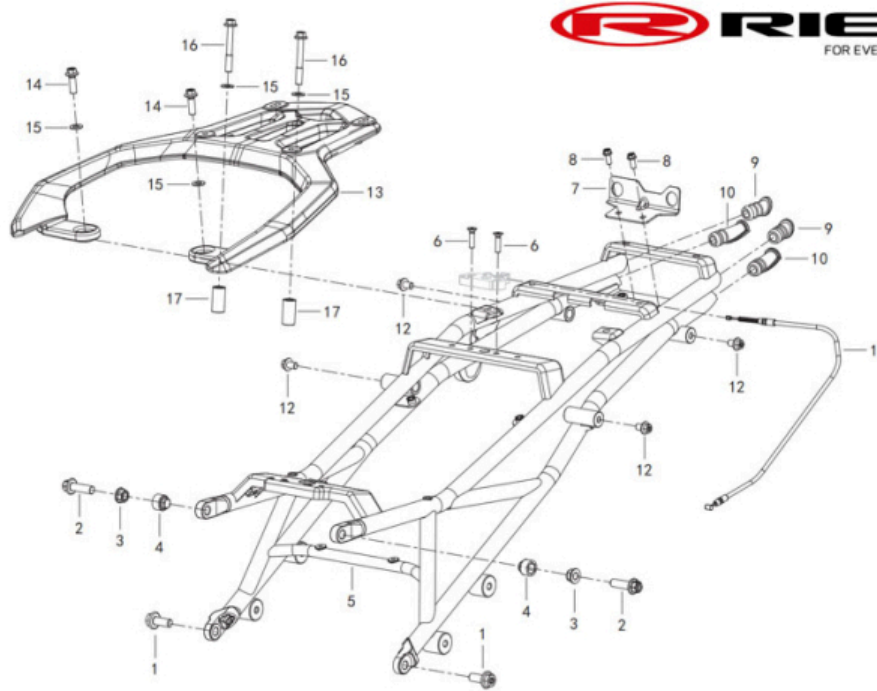
<b>17</b>	CHASSIS NUMBER PLATE 0/000.220.4601 (u. 1)
<b>18</b>	RIVETS CHASSIS NUMBER PLATE 0/000.330.4601 (u. 2)
<b>19</b>	UPPER CHASSIS SILENTBLOCK 0/000.360.4612 (u. 2)

## CHASSIS FRONT PART



1	FRONT CHASSIS FIXING SCREW 0/000.460.46025 (u. 2)	
	SELF-LOCKING NUT M10 x 1.25 0/000.340.46002 (u. 2)	
2	SELF-LOCKING NUT M10 x 1.25 0/000.340.46011 (u. 2)	Obsolete
3	TORX HEXAGONAL SCREW WITH WASHER M10x1.25x20 0/000.460.46049 (u. 2)	
4	CHASSIS FAIRING 0/000.010.4602 (u. 1)	
5	TORX CYLINDRICAL HEAD SCREW M8x16 0/000.460.46113 (u. 3)	
6	TORX CYLINDRICAL HEAD SCREW M8x20 0/000.460.46114 (u. 1)	
7	EXPANSION TANK BRACKET 0/000.980.4621 (u. 1)	
8	INTERNAL HEXAGONAL SCREW M6x12 0/000.460.46070 (u. 1)	
9	CHASSIS UPPER FAIRING JOINT 0/000.010.4603 (u. 1)	
10	INTERNAL HEXAGONAL SCREW M6x16 0/000.460.46071 (u. 2)	

**REAR CHASSIS**

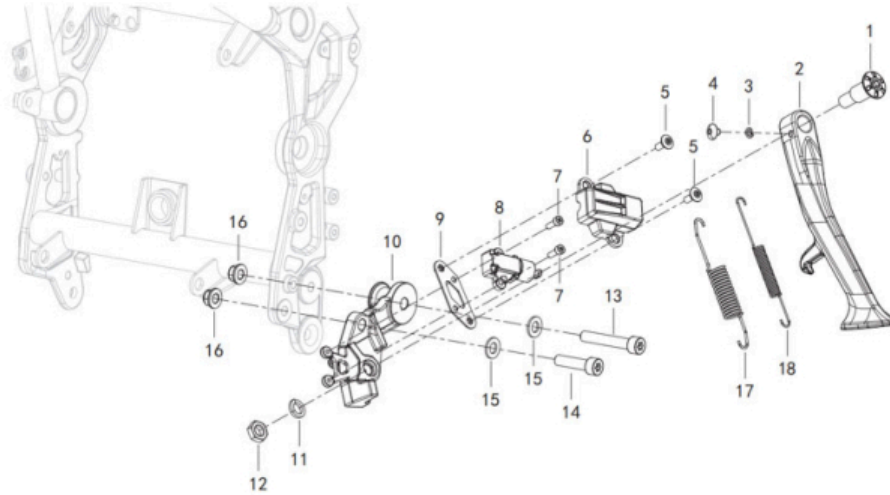


1	TORX HEXAGONAL SCREW WITH WASHER M10x25 0/000.460.46050 (u. 2)	
2	SUBFRAME TO CHASSIS UNION SCREW 0/000.460.46026 (u. 2)	
3	SELF-LOCKING NUT M10 x 1.25 0/000.340.46011 (u. 2)	Obsolete
	SELF-LOCKING NUT M10 x 1.25 0/000.340.46002 (u. 2)	
4	DECORATIVE NUT CAP 0/000.410.4614 (u. 2)	
5	SUBCHASSIS XPLORA 0/000.010.4604 (u. 1)	
6	SCREW M6x25 0/000.460.46099 (u. 2)	
7	REAR LIGHT BRACKET 0/000.980.4647 (u. 1)	
8	TORX HEXAGONAL SCREW WITH WASHER M6x14 0/000.460.46043 (u. 2)	
9	SUBCHASSIS PLUG 1 0/000.410.4610 (u. 2)	
10	SUBCHASSIS PLUG 1 0/000.410.4610 (u. 2)	
11	SEAT OPENING CABLE 0/000.550.4604 (u. 1)	
12	TORX HEXAGONAL SCREW WITH WASHER M8x12 0/000.460.46045 (u. 4)	
13	XPLORA GRAB HANDLE 0/000.980.4622 (u. 1)	
14	TORX HEXAGONAL SCREW WITH WASHER M8x25 0/000.460.46048 (u. 2)	
15	FLAT WASHER Ø8 0/000.440.46008 (u. 4)	
16	TORX HEXAGON SCREW WITH WASHER M8x60 0/000.460.46047 (u. 2)	

17

HANDLE BUSHING  
0/000.480.4618 (u. 2)

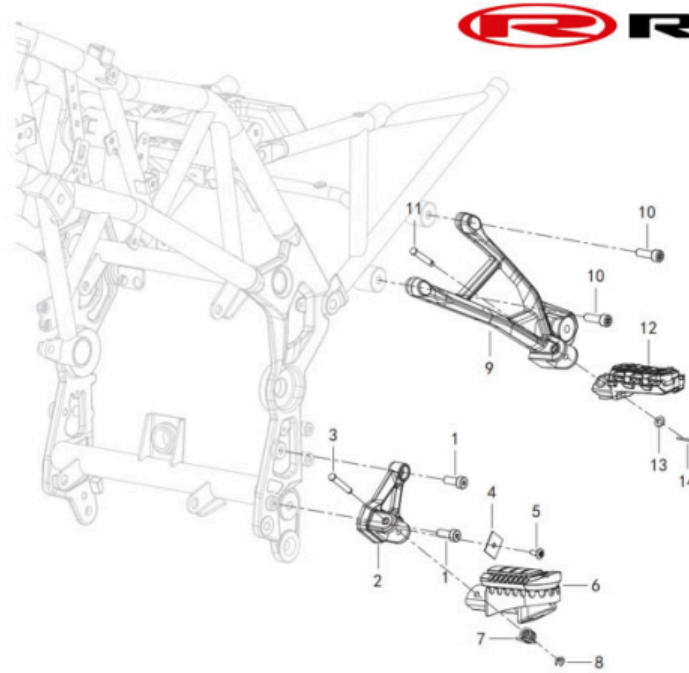
## SIDESTAND



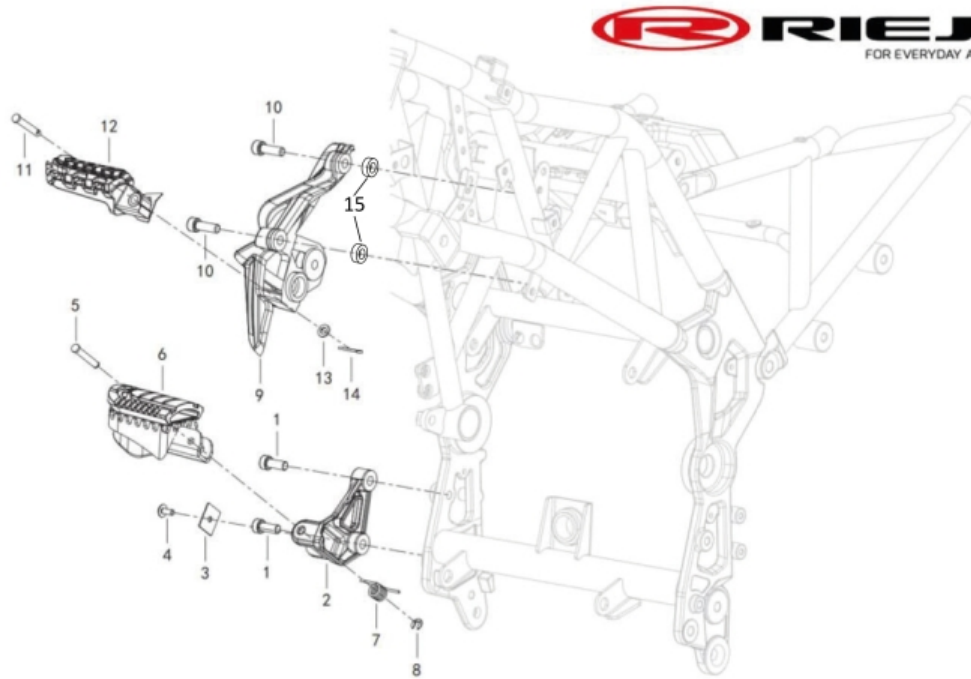
1	SIDE STAND SCREW 0/000.460.46027 (u. 1)
2	SIDE STAND 0/000.210.4601 (u. 1)
3	SPRING WASHER M6 0/000.440.46004 (u. 1)
4	SCREW M6X8 0/000.460.46120 (u. 1)
5	FLAT TORX SCREW WITH CENTERING M6x15 0/000.460.46037 (u. 2)
6	SIDE STAND SWITCH PROTECTOR 0/000.350.4607 (u. 1)
7	TORX CYLINDRICAL HEAD SCREW M5x14 0/000.460.46107 (u. 2)
8	SIDE STAND SENSOR 0/001.010.4607 (u. 1)
9	SIDE STAND SWITCH BRACKET 0/000.980.4624 (u. 1)
10	SIDE STAND BRACKET 0/000.980.4623 (u. 1)
11	SPRING WASHER M12 0/000.440.46009 (u. 1)
12	NUT M12x1.25 0/000.340.46017 (u. 1)
13	TORX CYLINDRICAL HEAD SCREW M10x60 0/000.460.46118 (u. 1)
14	CYLINDRICAL HEAD TORX SCREW M10x40 0/000.460.46116 (u. 1)
15	FLAT WASHER Ø10 0/000.440.46010 (u. 2)
16	METAL SELF-LOCKING NUT M10 0/000.340.46013 (u. 2)
17	EXTERNAL SPRING SIDE STAND 0/000.470.4601 (u. 1)

18

INNER SPRING SIDE STAND  
0/000.470.4602 (u. 1)

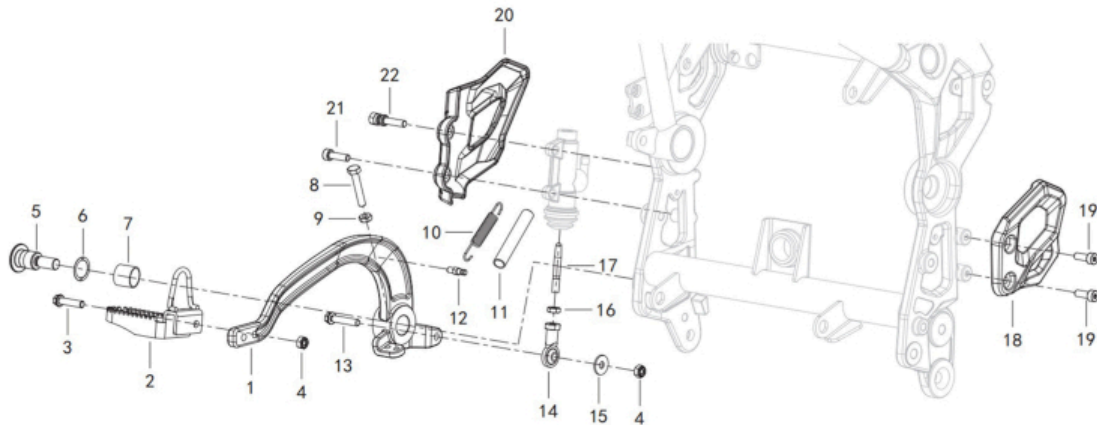
**FOOTREST LEFT SIDE**


1	TORX CYLINDRICAL HEAD SCREW M8x20 0/000.460.46114 (u. 2)
2	FRONT LH FOOTREST BRACKET 0/000.980.4625 (u. 1)
3	FRONT FOOTPEG PIN 0/000.190.4609 (u. 1)
4	INTERIOR FOOTREST STOP PLATE 0/000.220.4610 (u. 1)
5	TORX CYLINDRICAL HEAD SCREW M5x12 0/000.460.46033 (u. 1)
6	FRONT LEFT FOOTREST 0/000.740.4601 (u. 1)
7	FRONT FOOTPEG SPRING 0/000.470.4603 (u. 1)
8	CIRCLIP Ø5 RING 0/000.300.4607 (u. 1)
9	PASSENGER FOOTREST BRACKET LH 0/000.980.4627 (u. 1)
10	TORX CYLINDRICAL HEAD SCREW M8x25 0/000.460.46115 (u. 2)
11	PASSENGER FOOTPEG PIN 0/000.190.4608 (u. 1)
12	PASSENGER FOOTPEG LH 0/000.740.4602 (u. 1)
13	GASKET Ø6 0/000.490.4609 (u. 1)
14	PASSENGER FOOTPEG AXLE PIN 0/000.840.4602 (u. 1)

**FOOTREST RIGHT SIDE**


1	TORX CYLINDRICAL HEAD SCREW M8x20 0/000.460.46114 (u. 2)
2	FRONT RIGHT FOOTREST BRACKET 0/000.980.4626 (u. 1)
3	INTERIOR FOOTREST STOP PLATE 0/000.220.4610 (u. 1)
4	TORX CYLINDRICAL HEAD SCREW M5x12 0/000.460.46033 (u. 1)
5	FRONT FOOTPEG PIN 0/000.190.4609 (u. 1)
6	FRONT RIGHT FOOTPEG 0/000.740.4603 (u. 1)
7	FRONT FOOTPEG SPRING 0/000.470.4603 (u. 1)
8	CIRCLIP Ø5 RING 0/000.300.4607 (u. 1)
9	PASSENGER FOOTPEG BRACKET RH 0/000.980.4628 (u. 1)
10	TORNILLO 8x30 SILENCIOSO XPLORA 0/000.460.46184 (u. 2)
11	PASSENGER FOOTPEG PIN 0/000.190.4608 (u. 1)
12	PASSENGER FOOTREST RH 0/000.740.4604 (u. 1)
13	GASKET Ø6 0/000.490.4609 (u. 1)
14	PASSENGER FOOTPEG AXLE PIN 0/000.840.4602 (u. 1)
15	XPLORA EXHAUST PROTECTOR SPACER 0/000.480.4652 (u. 2)

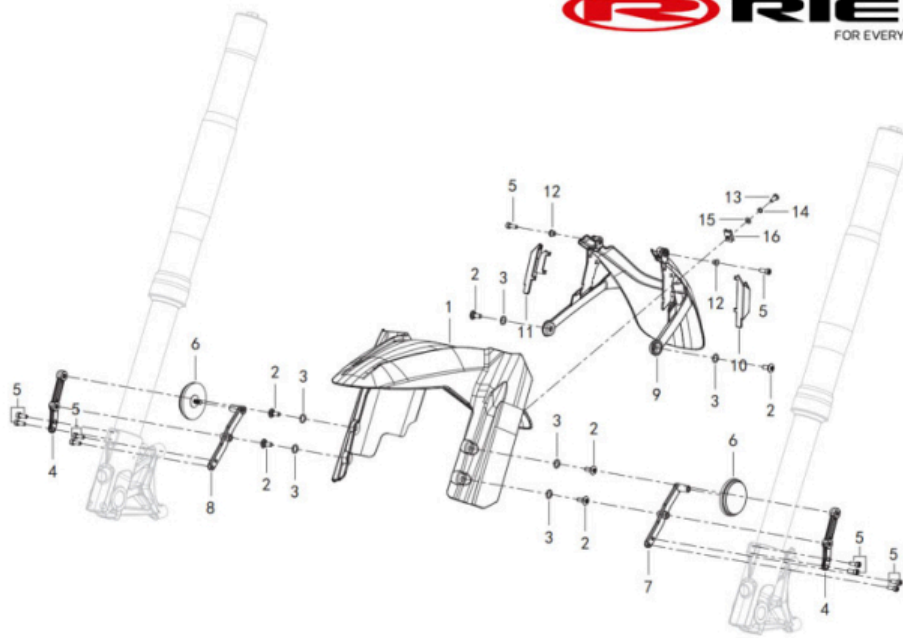
## BRAKE PEDAL



1	<b>BRAKE PEDAL</b> 0/000.730.4601 (u. 1)
2	<b>BRAKE PEDAL TIP</b> 0/000.730.4602 (u. 1)
3	<b>INTERNAL HEXAGONAL SCREW M6x25</b> 0/000.460.46073 (u. 1)
4	<b>M6 NUT</b> 0/000.340.46020 (u. 2)
5	<b>BRAKE PEDAL SCREW</b> 0/000.460.46028 (u. 1)
6	<b>BRAKE PEDAL GASKET</b> 0/000.490.4614 (u. 1)
7	<b>BUSHING BRAKE PEDAL</b> 0/000.480.4619 (u. 1)
8	<b>SCREW M6x35</b> 0/000.460.46085 (u. 1)
9	<b>NUT M6 ZG</b> 0/000.340.46019 (u. 1)
10	<b>BRAKE PEDAL SPRING</b> 0/000.470.4604 (u. 1)
11	<b>RUBBER SLEEVE FOR PEDAL SPRING</b> 0/000.640.4608 (u. 1)
12	<b>SPRING RETENTION PIN</b> 0/000.240.4602 (u. 1)
13	<b>INTERNAL HEXAGONAL SCREW M6x30</b> 0/000.460.46075 (u. 1)
14	<b>BRAKE LEVER BALL JOINT</b> 0/000.460.46029 (u. 1)
15	<b>FLAT WASHER Ø6</b> 0/000.440.46014 (u. 1)
16	<b>NUT M6 ZG</b> 0/000.340.46019 (u. 1)
17	<b>REAR BRAKE PUMP SHAFT</b> 0/000.190.4610 (u. 1)

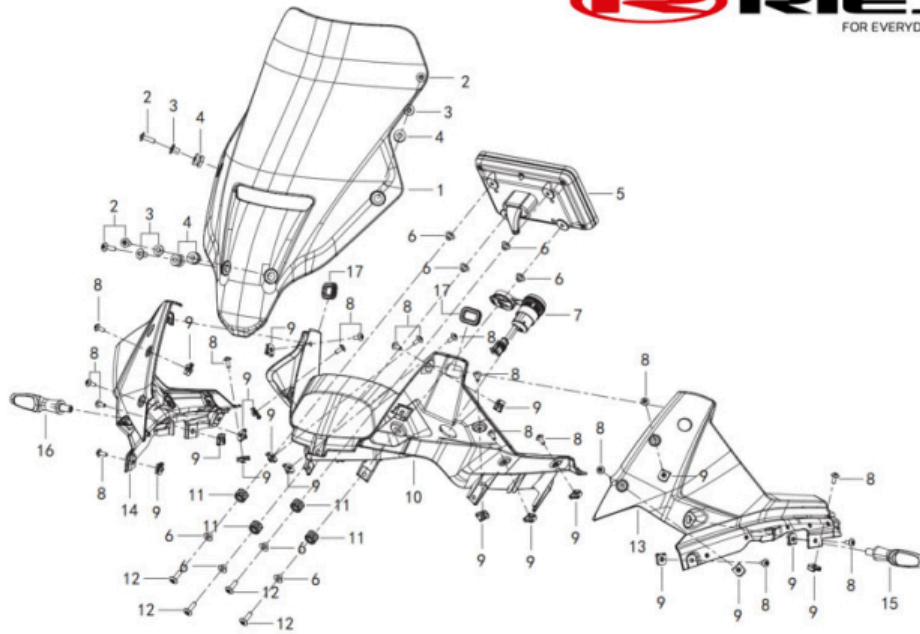
<b>18</b>	LOWER CHASSIS PROTECTOR LH 0/000.220.4602 (u. 1)
<b>19</b>	TORX CYLINDRICAL HEAD SCREW M6x16 0/000.460.46109 (u. 2)
<b>20</b>	CHASSIS AND REAR BRAKE PUMP PROTECTOR 0/000.220.4603 (u. 1)
<b>21</b>	TORX CYLINDRICAL HEAD SCREW M6x20 0/000.460.46110 (u. 1)
<b>22</b>	REAR BRAKE PUMP PROTECTOR SCREW 0/000.460.46012 (u. 1)

## FRONT MUDGUARD



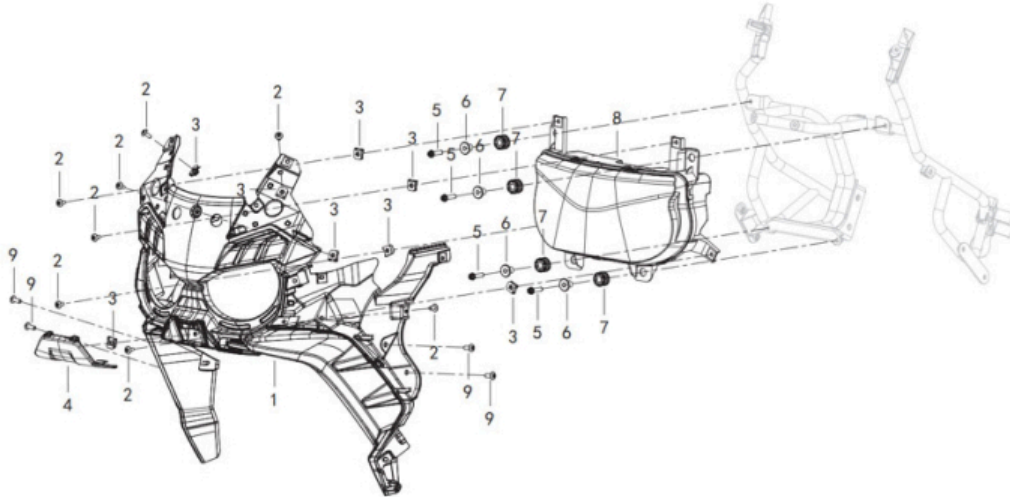
1	FRONT FENDER BLACK WITH DECAL 0/000.050.4602 (u. 1)
2	FLAT TORX SCREW WITH CENTERING M6x15 0/000.460.46037 (u. 6)
3	PLASTIC FIXING O-RING 0/000.490.4615 (u. 6)
4	FRONT FENDER OUTER SUPPORT 0/000.980.4631 (u. 2)
5	TORX CYLINDRICAL HEAD SCREW M5x14 0/000.460.46107 (u. 10)
6	REFLECTOR 0/000.630.4601 (u. 2)
7	INNER SUPPORT FRONT FENDER LH 0/000.980.4629 (u. 1)
8	INNER SUPPORT FRONT FENDER RH 0/000.980.4630 (u. 1)
9	FRONT INNER FENDER 0/000.050.4603 (u. 1)
10	LH SIDE TRIM INNER FENDER 0/000.570.4604 (u. 1)
11	RH INNER FENDER SIDE TRIM 0/000.570.4605 (u. 1)
12	FRONT FENDER BUSHING 0/000.480.4620 (u. 2)
13	TORX FLAT HEAD SCREW M5x12 0/000.460.46103 (u. 1)
14	SPRING WASHER M5 0/000.440.46011 (u. 1)
15	GASKET Ø5 0/000.490.4616 (u. 1)
16	QUICK NUT 0/000.340.46015 (u. 1)

**FRONT BUBBLE**

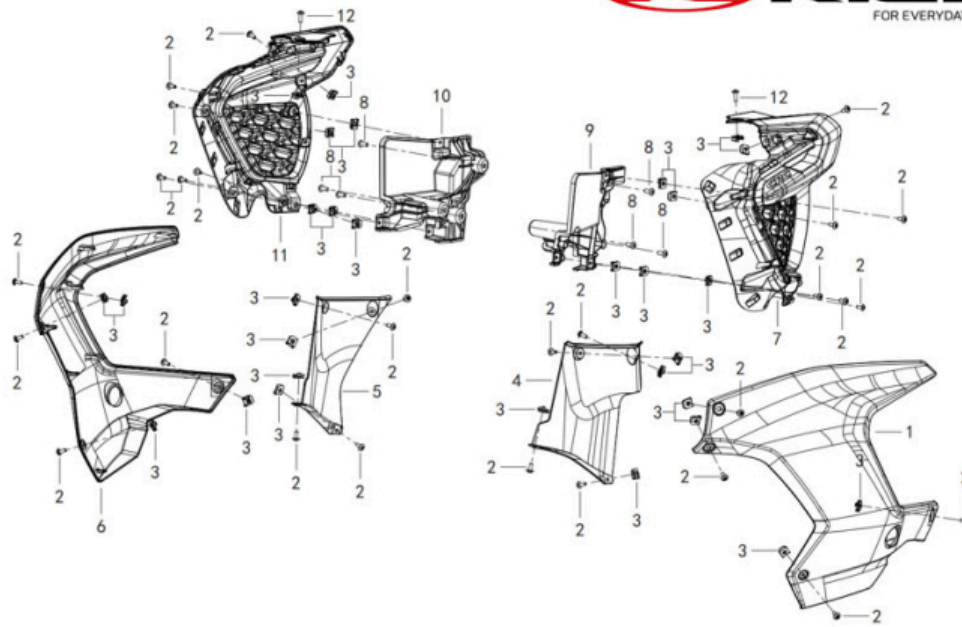


1	XPLORA WINDSCREEN 0/000.780.4601 (u. 1)
2	WINDSCREEN SCREW 0/000.460.46031 (u. 4)
3	WINDSCREEN BUSHING 0/000.480.4624 (u. 4)
4	SILENTBLOCK FAIRING 0/000.360.4617 (u. 4)
5	DASHBOARD XP 557 0/001.000.4601 (u. 1)
6	DASHBOARD BUSHINGS 0/000.480.4625 (u. 8)
7	USB PORT 0/001.200.4604 (u. 1)
8	TORX SCREW WITH WASHER M5x12 BLACK ZINC 0/000.460.46002 (u. 18)
9	QUICK NUT M5 0/000.340.46014 (u. 18)
10	INSTRUMENT FAIRING 0/000.570.4606 (u. 1)
11	SILENTBLOCK 0/000.360.4616 (u. 4)
12	DASHBOARD FIXING SCREW 0/000.460.46030 (u. 4)
13	LH INSTRUMENTS SIDE COVER 0/000.570.4610 (u. 1)
14	RH INSTRUMENTS SIDE COVER 0/000.570.4613 (u. 1)
15	FRONT LEFT TURN SIGNAL 0/000.150.4602 (u. 1)
16	FRONT RIGHT TURN SIGNAL 0/000.150.4603 (u. 1)
17	CONNECTION GASKET DASHBOARD 0/000.490.4617 (u. 2)

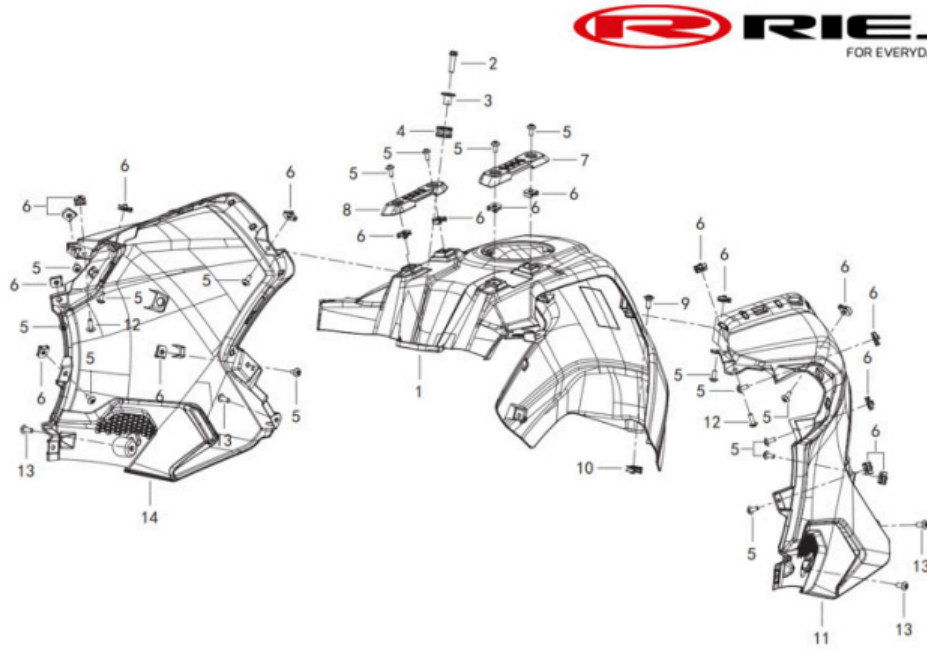
## FRONT COVER



1	HEADLIGHT HOLDER XPLORA 0/000.620.4601 (u. 1)
2	TORX SCREW WITH WASHER M5x12 BLACK ZINC 0/000.460.46002 (u. 8)
3	QUICK NUT M5 0/000.340.46014 (u. 8)
4	FRONT HEADLIGHT TRIM 0/000.570.4609 (u. 1)
5	INTERNAL HEXAGONAL SCREW M6x25 0/000.460.46073 (u. 4)
6	WINDSCREEN BUSHING 0/000.480.4624 (u. 4)
7	SILENTBLOCK 0/000.360.4616 (u. 4)
8	FRONT HEADLIGHT XP 557 0/000.600.4601 (u. 1)
9	SPECIAL SCREW WITH TORX WASHER M6x14 BLACK ZINC 0/000.460.46008 (u. 4)

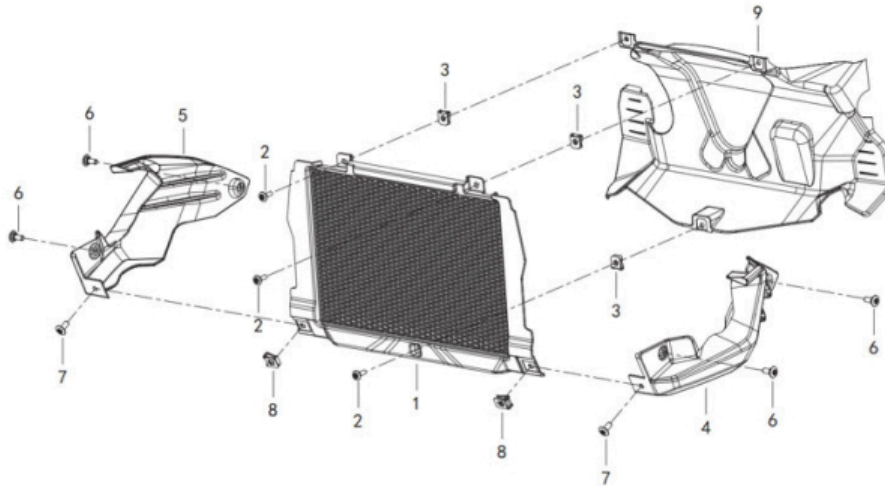
**FRONT COVERS ASSY.**

<b>1</b>	<b>FRONT LEFT SIDE COVER BLACK</b> 0/000.570.4621 (u. 1)
<b>2</b>	<b>TORX SCREW WITH WASHER M5x12 BLACK ZINC</b> 0/000.460.46002 (u. 28)
<b>3</b>	<b>QUICK NUT M5</b> 0/000.340.46014 (u. 30)
<b>4</b>	<b>FRONT INNER FAIRING LH</b> 0/000.570.4607 (u. 1)
<b>5</b>	<b>FRONT INNER FAIRING RH</b> 0/000.570.4608 (u. 1)
<b>6</b>	<b>FRONT RH SIDE COVER BLACK</b> 0/000.570.4623 (u. 1)
<b>7</b>	<b>LH AIR OUTLET SIDE COVER</b> 0/000.570.4611 (u. 1)
<b>8</b>	<b>SPECIAL SCREW WITH TORX WASHER M6x14 BLACK ZINC</b> 0/000.460.46008 (u. 6)
<b>9</b>	<b>LH INNER COVER</b> 0/000.570.4614 (u. 1)
<b>10</b>	<b>INNER COVER RH</b> 0/000.570.4615 (u. 1)
<b>11</b>	<b>RH AIR OUTLET SIDE COVER</b> 0/000.570.4612 (u. 1)
<b>12</b>	<b>TORX SCREW WITH WASHER M5x16 BLACK ZINC</b> 0/000.460.46003 (u. 2)

**TANK COVER ASSEMBLY**


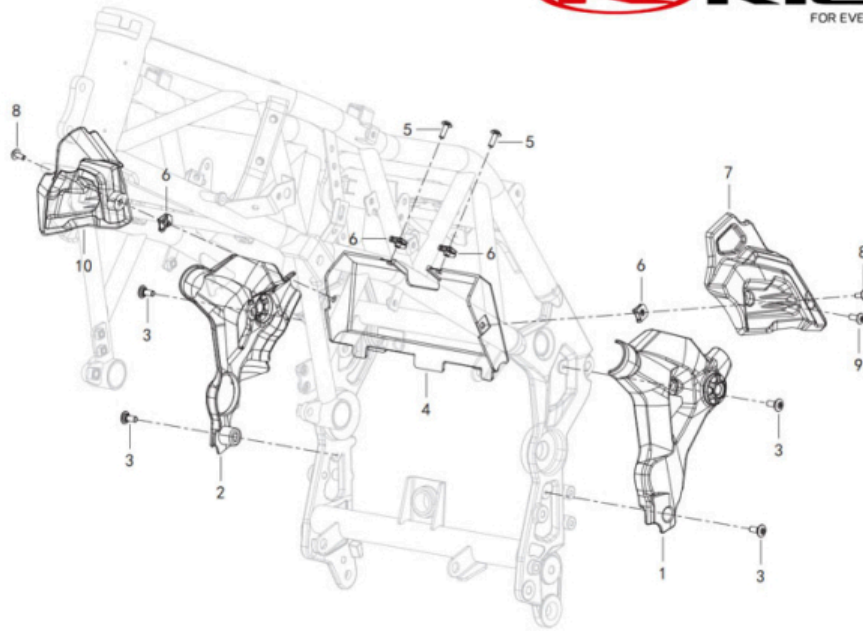
1	UPPER GAS TANK COVER TRIM 0/000.570.4624 (u. 1)
2	INTERNAL HEXAGONAL SCREW M6x25 0/000.460.46073 (u. 1)
3	DECORATIVE TANK BUSHING 0/000.480.4621 (u. 1)
4	SILENTBLOCK TANK TRIM 0/000.360.4615 (u. 1)
5	TORX SCREW WITH WASHER M5x12 BLACK ZINC 0/000.460.46002 (u. 16)
6	QUICK NUT M5 0/000.340.46014 (u. 18)
7	LH TANK ELEMENTS SUPPORT 0/000.570.4629 (u. 1)
8	SUPPORT RH TANK ELEMENTS 0/000.570.4630 (u. 1)
9	FLAT TORX SCREW WITH CENTERING M6x15 0/000.460.46037 (u. 1)
10	QUICK NUT M6 0/000.340.46012 (u. 1)
11	LEFT BLACK TANK COVER 0/000.570.4626 (u. 1)
12	TORX SCREW WITH WASHER M5x16 BLACK ZINC 0/000.460.46003 (u. 2)
13	SPECIAL SCREW WITH TORX WASHER M6x14 BLACK ZINC 0/000.460.46008 (u. 4)
14	RH BLACK TANK COVER 0/000.570.4628 (u. 1)

## FRONT COVERS ASSY.



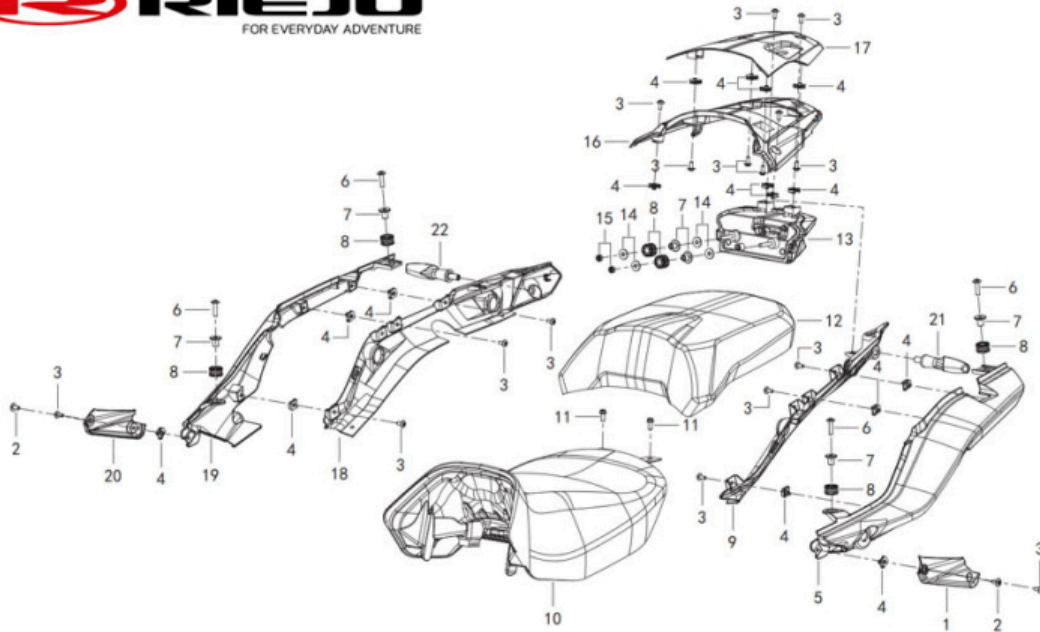
1	RADIATOR GUARD 0/000.220.4605 (u. 1)
2	SCREW ISO 7380 Allen M5x16 Z/WHITE 0/000.460.46005 (u. 3)
3	QUICK NUT M5 0/000.340.46014 (u. 3)
4	RADIATOR GUIDE COVER LH 0/000.570.4632 (u. 1)
5	RADIATOR GUIDE COVER RH 0/000.570.4633 (u. 1)
6	FLAT TORX SCREW WITH CENTERING M6x15 0/000.460.46036 (u. 4)
7	FLAT HEAD SCREW TPRZ M6x14 0/000.460.46035 (u. 2)
8	QUICK NUT M6 0/000.340.46012 (u. 2)
9	REAR RADIATOR PLATE 0/000.570.4631 (u. 1)

## CHASSIS TRIM KIT



1	LH CHASSIS PROTECTOR 0/000.220.4608 (u. 1)
2	CHASSIS PROTECTOR RH 0/000.220.4609 (u. 1)
3	FLAT TORX SCREW WITH CENTERING M6x15 0/000.460.46036 (u. 4)
4	INNER CHASSIS COVER 0/000.570.4634 (u. 1)
5	TORX SCREW WITH WASHER M5x16 BLACK ZINC 0/000.460.46003 (u. 2)
6	QUICK NUT M5 0/000.340.46014 (u. 4)
7	INTERIOR CHASSIS PROTECTOR LH 0/000.220.4607 (u. 1)
8	TORX SCREW WITH WASHER M5x12 BLACK ZINC 0/000.460.46002 (u. 2)
9	SPECIAL SCREW WITH TORX WASHER M6x14 BLACK ZINC 0/000.460.46008 (u. 1)
10	INTERIOR RH CHASSIS PROTECTOR 0/000.220.4606 (u. 1)

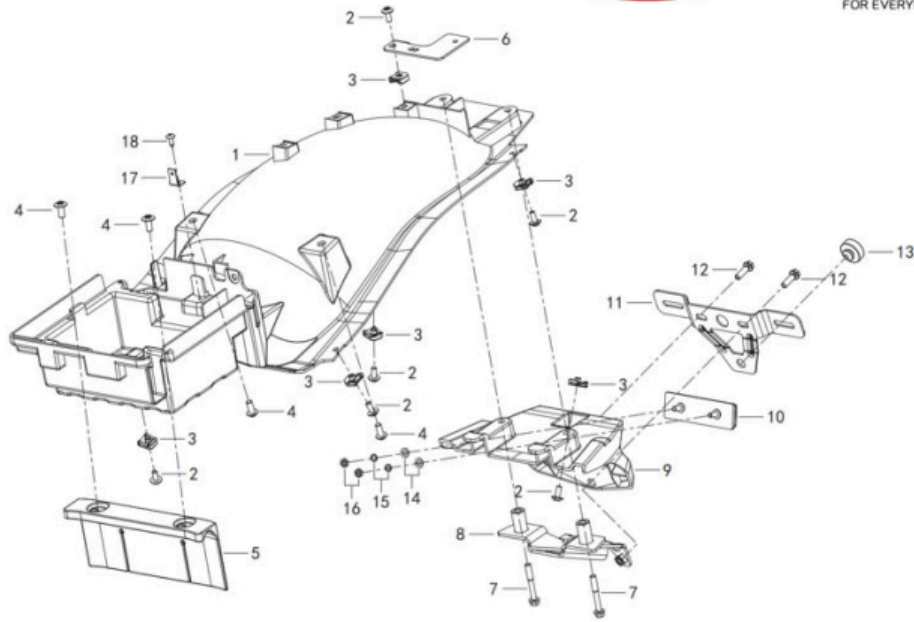
**SET OF SIDE COVERS**



1	REAR LEFT SIDE TRIM 0/000.570.4618 (u. 1)
2	TORX SCREW WITH WASHER M6x12 BLACK ZINC 0/000.460.46007 (u. 2)
3	TORX SCREW WITH WASHER M5x12 BLACK ZINC 0/000.460.46002 (u. 16)
4	QUICK NUT M5 0/000.340.46014 (u. 16)
5	REAR LEFT SIDE COVER BLACK 0/000.570.4637 (u. 1)
6	FLAT HEAD TPRZ SCREW M6x25 0/000.460.46034 (u. 4)
7	DECORATIVE TANK BUSHING 0/000.480.4621 (u. 6)
8	SILENTBLOCK TANK TRIM 0/000.360.4615 (u. 6)
9	REAR LH INNER SIDE COVER 0/000.570.4640 (u. 1)
10	SEAT XPLORA 0/000.040.4601 (u. 1)
11	TORX HEXAGONAL SCREW WITH WASHER M6x14 0/000.460.46043 (u. 2)
12	PASSENGER SEAT XPLORA 0/000.040.4602 (u. 1)
13	TAIL LIGHT 0/000.150.4601 (u. 1)
14	FLAT WASHER Ø6 0/000.440.46014 (u. 4)
15	M6 NUT 0/000.340.46020 (u. 2)
16	LOWER FAIRING 0/000.570.4617 (u. 1)
17	UPPER TAILSECTION 0/000.570.4616 (u. 1)

<b>18</b>	REAR RIGHT INTERIOR SIDE COVER 0/000.570.4641 (u. 1)
<b>19</b>	REAR RIGHT SIDE COVER BLACK 0/000.570.4639 (u. 1)
<b>20</b>	REAR RIGHT SIDE TRIM 0/000.570.4619 (u. 1)
<b>21</b>	REAR LEFT TURN SIGNAL 0/000.150.4604 (u. 1)
<b>22</b>	REAR TURN SIGNAL RH 0/000.150.4605 (u. 1)

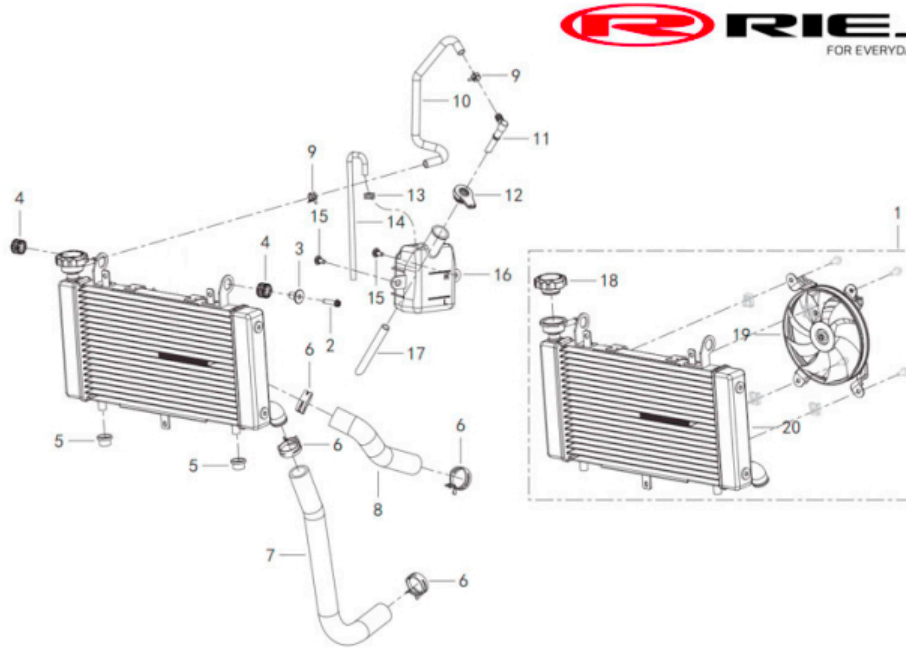
**REAR MUDGUARD ASSY.**



1	REAR UPPER FENDER 0/000.060.4603 (u. 1)
2	TORX SCREW WITH WASHER M5x12 BLACK ZINC 0/000.460.46002 (u. 6)
3	QUICK NUT M5 0/000.340.46014 (u. 6)
4	SPECIAL SCREW WITH TORX WASHER M6x14 BLACK ZINC 0/000.460.46008 (u. 4)
5	LOWER BATTERY BOX RUBBER 0/000.360.4614 (u. 1)
6	UPPER REAR FENDER PLATE 0/000.220.4604 (u. 1)
7	TORX HEXAGONAL SCREW WITH WASHER M6x42 0/000.460.46044 (u. 2)
8	UPPER REAR FENDER BRACKET 0/000.980.4633 (u. 1)
9	REAR REFLECTOR MOUNTING PLATE 0/000.570.4635 (u. 1)
10	REAR REFLECTOR 0/000.630.4602 (u. 1)
11	REAR LICENSE PLATE HOLDER 0/000.980.4646 (u. 1)
12	HEXAGON SOCKET SCREW M6x20 0/000.460.46072 (u. 2)
13	SILENTBLOCK REAR REFLECTOR COVER 0/000.360.4613 (u. 1)
14	GASKET Ø5 0/000.490.4616 (u. 2)
15	SPRING WASHER M5 0/000.440.46011 (u. 2)
16	M5 NUT 0/000.340.46016 (u. 2)
17	FUSE BOX BRACKET 0/000.980.4632 (u. 1)

<b>18</b>	FUSE BOX SUPPORT SCREW 0/000.460.46032 (u. 1)
-----------	--

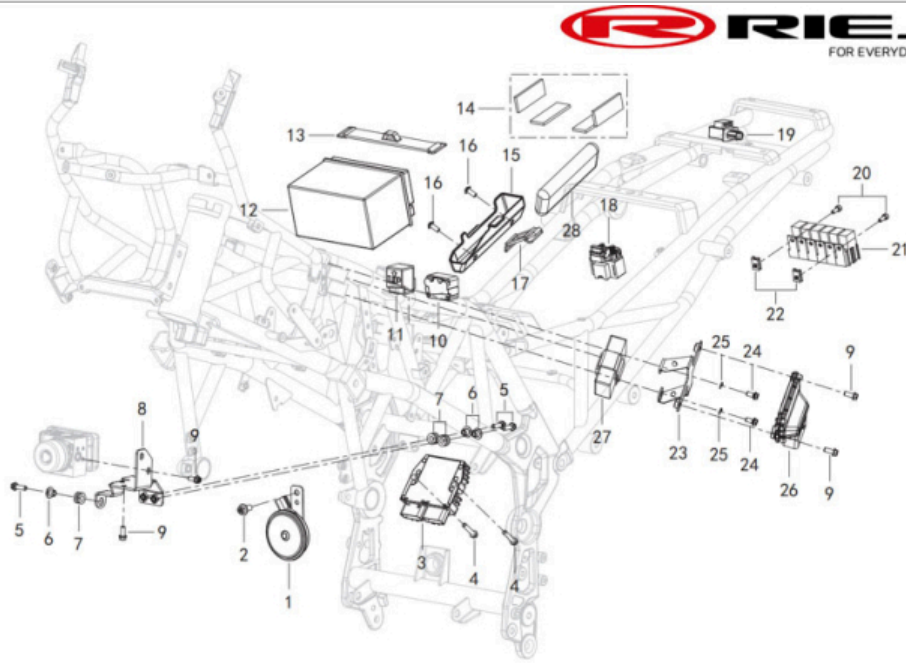
**COOLING SYSTEM**



1	<b>RADIATOR</b> 0/000.580.4601 (u. 1)
2	<b>INTERNAL HEXAGONAL SCREW M6x25</b> 0/000.460.46073 (u. 1)
3	<b>RADIATOR MOUNTING BUSHING</b> 0/000.480.4623 (u. 1)
4	<b>SILENTBLOCK TANK TRIM</b> 0/000.360.4615 (u. 2)
5	<b>LOWER RADIATOR BUSHING</b> 0/000.480.4622 (u. 2)
6	<b>SPRING CLAMP Ø32</b> 0/000.680.4604 (u. 4)
7	<b>RADIATOR PIPE TO ENGINE 507</b> 0/000.290.4603 (u. 1)
8	<b>ENGINE PIPE TO RADIATOR 557</b> 0/000.290.4607 (u. 1)
9	<b>CLAMP Ø11</b> 0/000.680.4610 (u. 2)
10	<b>RADIATOR PIPE TO EXPANSION TANK</b> 0/000.290.4601 (u. 1)
11	<b>RADIUSED ELBOW PIPE TO EXPANSION TANK</b> 0/000.290.4623 (u. 1)
12	<b>EXPANSION TANK CAP</b> 0/000.410.4612 (u. 1)
13	<b>SILENTBLOCK</b> 0/000.360.4619 (u. 1)
14	<b>OVERFLOW TUBE EXPANSION TANK</b> 0/000.290.4604 (u. 1)
15	<b>FLAT TORX SCREW WITH CENTERING M6x15</b> 0/000.460.46036 (u. 2)
16	<b>EXPANSION TANK</b> 0/000.030.4601 (u. 1)
17	<b>EXPANSION TANK INNER TUBE</b> 0/000.290.4605 (u. 1)

<b>18</b>	RADIATOR CAP 0/000.410.4613 (u. 1)
<b>19</b>	ELECTRIC FAN 0/005.060.4601 (u. 1)
<b>20</b>	COMPLETE RADIATOR 0/000.580.4602 (u. 1)

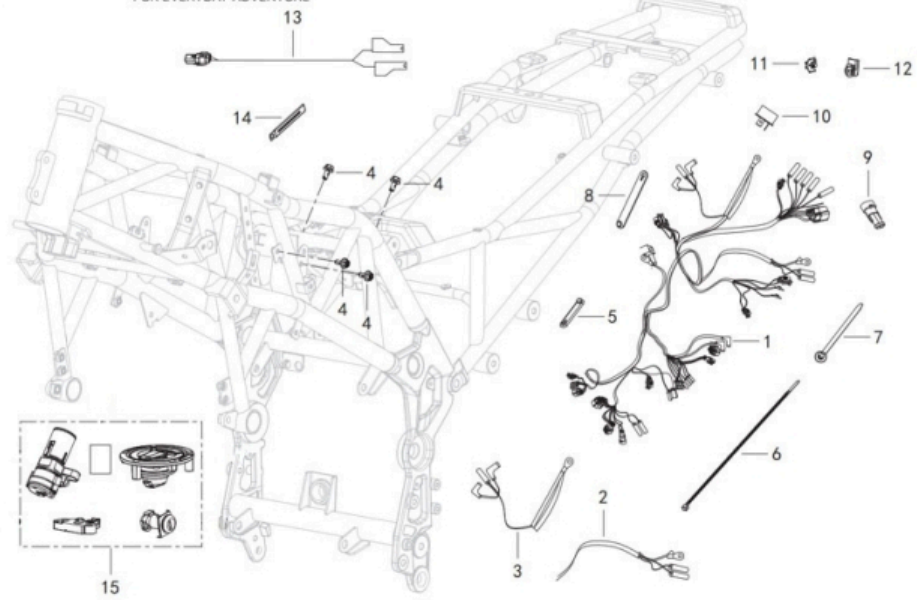
## ELECTRICAL SYSTEM



1	<b>HORN</b> 0/000.420.4601 (u. 1)
2	<b>TORN.ESP. DIN 6921 Hex.10 TX40 M8x16 Cal.10.9 GEOMET</b> 0/000.460.9192 (u. 1)
3	<b>HEX SCREW WITH FLANGE EN 1665 - M8x16 (WHITE ZINC)</b> 0/000.460.3871 (u. 1)
4	<b>TORX HEXAGONAL SCREW WITH WASHER M8x16</b> 0/000.460.46046 (u. 1)
5	<b>REGULATOR</b> 0/005.070.4601 (u. 1)
6	<b>HEXAGON SOCKET SCREW M6x28</b> 0/000.460.46074 (u. 2)
7	<b>HEXAGON SOCKET SCREW M6x20</b> 0/000.460.46072 (u. 3)
8	<b>BUSHING ABS SUPPORT</b> 0/000.480.4626 (u. 3)
9	<b>SILENTBLOCK ABS SUPPORT</b> 0/000.360.4618 (u. 3)
10	<b>ABS MODULE BRACKET</b> 0/000.980.4634 (u. 1)
11	<b>TORX HEXAGONAL SCREW WITH WASHER M6x14</b> 0/000.460.46043 (u. 4)
12	<b>LEAN SENSOR</b> 0/001.010.4608 (u. 1)
13	<b>SENSOR FALL RUBBER SUPPORT</b> 0/000.980.4604 (u. 1)
14	<b>BATTERY</b> 0/000.900.4601 (u. 1)
15	<b>BATTERY STRAP</b> 0/000.680.4602 (u. 1)
16	<b>BATTERY FOAMS</b> 0/000.980.4635 (u. 6)
17	<b>TOOLBOX</b> 0/000.570.4601 (u. 1)

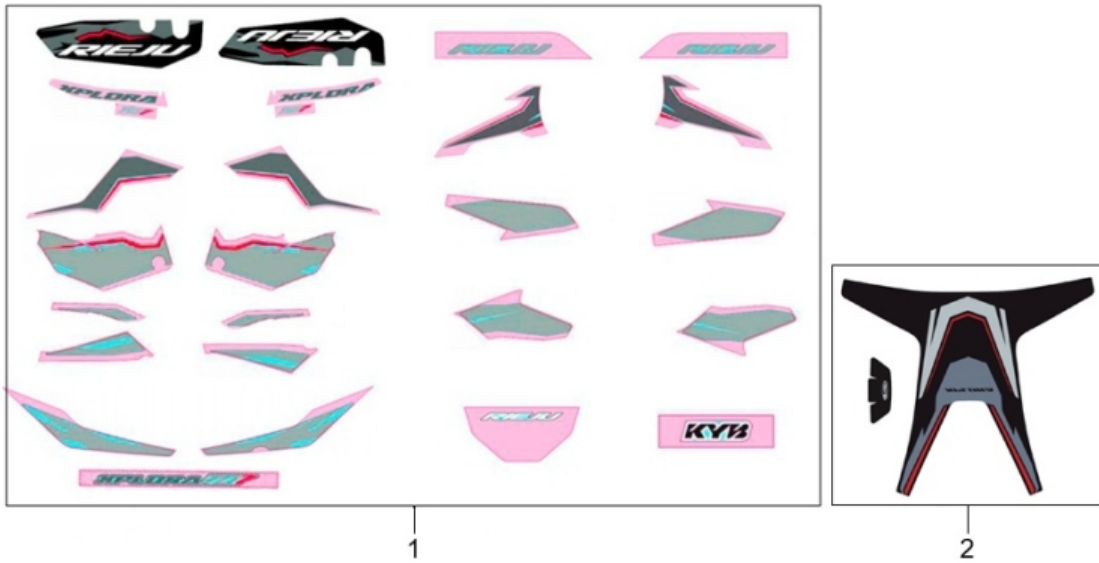
16	SPECIAL SCREW WITH TORX WASHER M6x14 BLACK ZINC 0/000.460.46008 (u. 2)
17	BELT TOOL KIT 0/000.680.4601 (u. 1)
18	STARTER RELAY 0/001.200.4605 (u. 1)
19	FLASHER RELAY 0/001.200.4606 (u. 1)
20	TORX CYLINDRICAL HEAD SCREW M5x12 0/000.460.46105 (u. 2)
21	SET OF RELAYS 0/001.200.4602 (u. 6)
22	QUICK NUT 0/000.340.46015 (u. 2)
23	ECU BRACKET 0/000.980.4636 (u. 1)
24	INTERNAL HEXAGONAL SCREW M6x12 0/000.460.46070 (u. 2)
25	SPRING WASHER M6 0/000.440.46004 (u. 2)
26	ECU 557 0/005.705.4601 (u. 1)
27	LIGHTS RELAY 0/001.200.4603 (u. 1)
28	TOOL KIT 0/000.640.4601 (u. 1)

**ELECTRICAL EQUIPMENT SET**



1	<b>MAIN ELECTRICAL INSTALLATION XP 557</b> 0/000.160.4601 (u. 1)
2	<b>GROUND CABLE 2</b> 0/000.160.4603 (u. 1)
3	<b>GROUND CABLE</b> 0/000.160.4602 (u. 1)
4	<b>TORX HEX SCREW WITH CENTERING WASHER M6x16</b> 0/000.460.46039 (u. 4)
5	<b>RUBBER WIRING CLAMP</b> 0/000.680.4615 (u. 2)
6	<b>NYLON CLAMP</b> 0/000.680.4611 (u. 10)
7	<b>NYLON CLAMP</b> 0/000.680.4612 (u. 2)
8	<b>CABLE CLAMP RUBBER 2</b> 0/000.680.4613 (u. 2)
9	<b>DIAGNOSTIC CONNECTOR CAP ABS</b> 0/000.410.4602 (u. 1)
10	<b>START DIODE</b> 0/001.200.4607 (u. 2)
11	<b>CLIP</b> 0/000.630.4605 (u. 6)
12	<b>FIXING CLIP ABS CAP</b> 0/000.630.4604 (u. 1)
13	<b>FRONT BRAKE INSTALLATION SUPPLEMENT</b> 0/000.160.4604 (u. 1)
14	<b>SUPPORT PLATE INSTALLATION</b> 0/000.220.4611 (u. 3)
15	<b>SET IGNITION SWITCH</b> 0/001.060.4601 (u. 1)

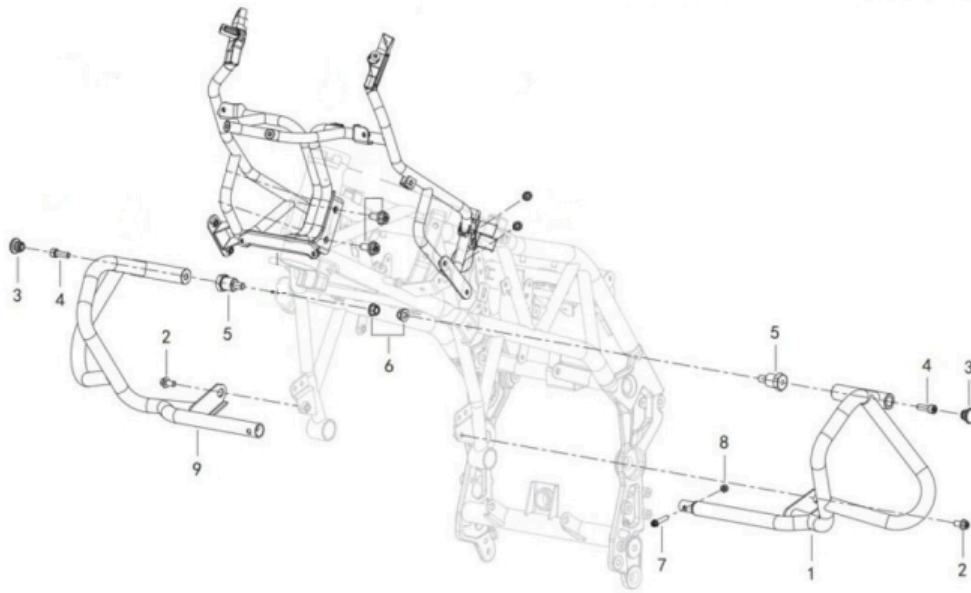
JUEGO DE CALCAS



**1** WHITE STICKER SET XPLORA 557  
0/000.390.4607 (u. 1)

**2** LENTICULAR DECAL SET XPLORA  
0/000.390.4601 (u. 1)

**ACCESSORIES**



1	FRONT LEFT BUMPER ASSEMBLY 0/000.220.4617 (u. 1)	
2	TORN.ESP. DIN 6921 Hex.10 TX40 M8x16 Cal.10.9 GEOMET 0/000.460.9192 (u. 2)	
	TORX HEXAGONAL SCREW WITH WASHER M8x16 0/000.460.46046 (u. 2)	
3	BUMPER RUBBER PLUG I 0/000.410.4625 (u. 2)	
4	TORX CYLINDRICAL HEAD SCREW M8x25 0/000.460.46115 (u. 2)	
5	FRONT CHASSIS FIXING SCREW 0/000.460.46025 (u. 2)	
6	SELF-LOCKING NUT M10 x 1.25 0/000.340.46011 (u. 2)	Obsolete
	SELF-LOCKING NUT M10 x 1.25 0/000.340.46002 (u. 2)	
7	INTERNAL HEXAGONAL SCREW M6x30 0/000.460.46075 (u. 1)	
8	M6 NUT 0/000.340.46020 (u. 1)	
9	FRONT RIGHT BUMPER ASSEMBLY 0/000.220.4616 (u. 1)	

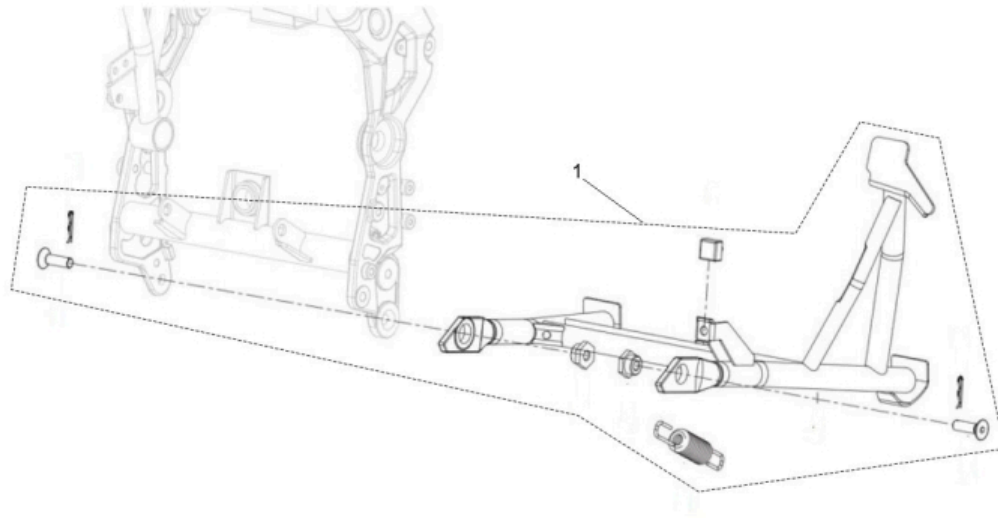
ACCESORIOS 2



1

FULL SET XPLORA CASES  
0/K01.800.4601 (u. 1)

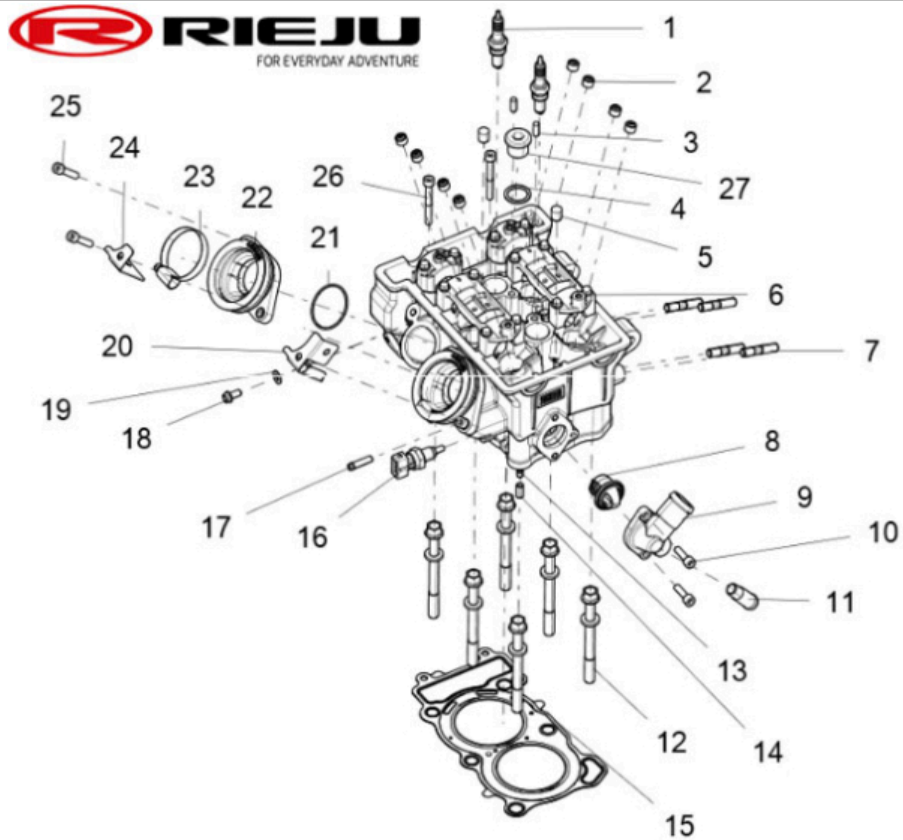
ACCESSORIES 3



1 CENTER STAND ASSEMBLY XPLORE 557  
0/K00.210.4604 (u. 1)

# MOTOR XPLORA 557

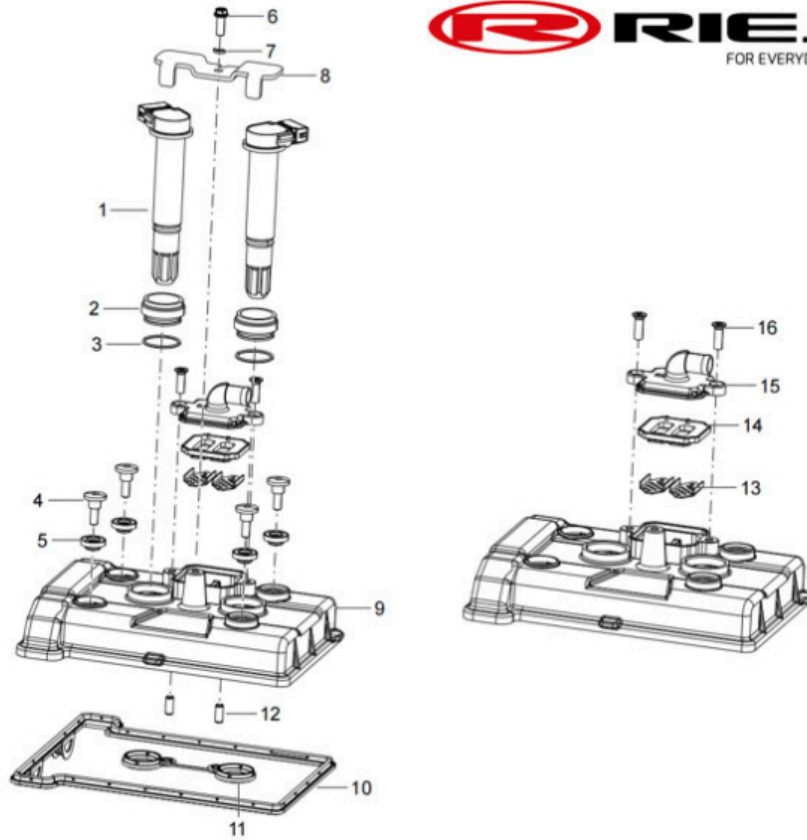
**CILINDER HEAD**



1	NGK SPARK PLUG CR8E 0/005.110.4601 (u. 2)
2	VALVE SEAL GASKET 0/000.490.4623 (u. 8)
3	PIN 6x14 0/000.240.4601 (u. 2)
4	WATER GASKET 0/000.490.4618 (u. 1)
5	CONICAL PLUG M10 0/000.410.4615 (u. 2)
6	CYLINDER HEAD 0/005.770.4601 (u. 1)
7	THREADED ROD M8 0/000.240.4603 (u. 4)
8	THERMOSTAT 0/001.010.4602 (u. 1)
9	THERMOSTAT BODY 0/000.350.4602 (u. 1)
10	SCREW M6x20 0/000.460.46077 (u. 2)
12	CYLINDER HEAD SCREW 0/000.460.46056 (u. 6)
13	CYLINDER HEAD SCREW 0/000.460.46060 (u. 1)
14	OIL RISE CENTERING BUSHING 0/000.480.4627 (u. 1)
15	HEAD GASKET 0/000.490.4621 (u. 1)
16	COOLANT TEMPERATURE SENSOR 0/001.010.4601 (u. 1)

17	WATER PIPE 0/000.290.4624 (u. 1)
18	INTERNAL HEXAGONAL SCREW M6x12 0/000.460.46070 (u. 1)
19	WASHER 0/000.440.46012 (u. 1)
20	AIR PIPE SUPPORT 1 0/000.980.4637 (u. 1)
21	AIR PIPE GASKET 0/000.490.4624 (u. 2)
22	AIR PIPE 0/000.360.4620 (u. 2)
23	CLAMP 0/000.680.4616 (u. 2)
24	AIR TUBE SUPPORT 2 0/000.980.4638 (u. 1)
25	SCREW M6x25 0/000.460.46068 (u. 4)
26	SCREW M6x50 0/000.460.46078 (u. 2)
27	THREADED WATER CAP 0/000.410.4616 (u. 1)

## VALVE COVER SET

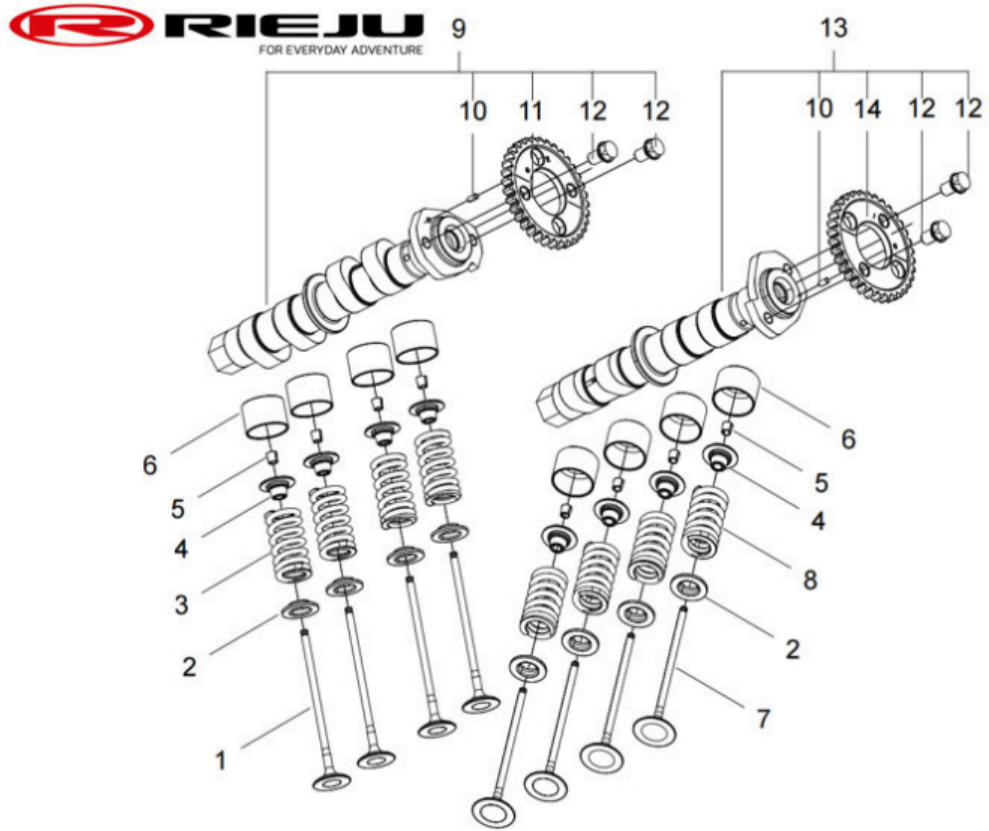


1	IGNITION COIL 0/005.070.4602 (u. 2)
2	IGNITION COIL RUBBER GASKET 0/000.490.4640 (u. 2)
3	O-RING 0/000.490.4625 (u. 2)
4	CYLINDER HEAD COVER SCREW 0/000.460.46057 (u. 4)
5	GASKET 0/000.490.4608 (u. 4)
6	INTERNAL HEXAGONAL SCREW M6x16 0/000.460.46071 (u. 1)
7	SPRING WASHER M6 0/000.440.46004 (u. 1)
8	COIL POSITIONER SUPPORT 0/000.980.4639 (u. 1)
9	CYLINDER HEAD COVER 0/000.350.4609 (u. 1)
10	HEAD COVER GASKET 0/000.490.4619 (u. 1)
11	INNER CYLINDER HEAD COVER GASKET 0/000.490.4620 (u. 1)
12	PIN 6x14 0/000.240.4601 (u. 2)
13	FLAME ARRESTOR 0/000.490.4622 (u. 2)
14	REED VALVE 0/005.600.4601 (u. 1)
15	REED VALVE COVER 0/000.350.4608 (u. 1)

16

SCREW M6x16  
0/000.460.46098 (u. 2)

**VALVE DRIVE**



1 EXHAUST VALVE  
0/000.640.4610 (u. 4)

2 LOWER VALVE SPRING SEAL  
0/000.890.4601 (u. 8)

3 EXHAUST VALVE SPRING  
0/000.470.4605 (u. 4)

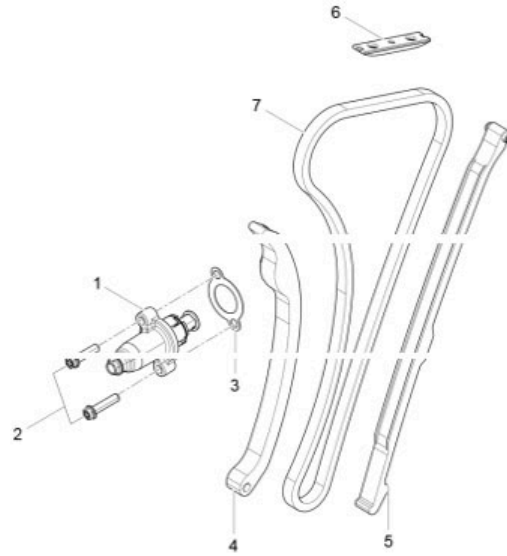
4 UPPER VALVE SPRING RETAINER  
0/000.890.4602 (u. 8)

5 VALVE RETAINER CLIP  
0/000.300.4608 (u. 16)

	VALVE ADJUSTMENT SHIM 430 0/005.490.4601 (u. 8)
	VALVE ADJUSTMENT SHIM 448 0/005.490.4623 (u. 8)
	VALVE ADJUSTMENT CUP 462 0/005.490.4617 (u. 8)
	VALVE ADJUSTMENT BUCKET 456 0/005.490.4614 (u. 8)
	VALVE ADJUSTMENT SHIM 444 0/005.490.4608 (u. 8)
	VALVE ADJUSTMENT SHIM 460 0/005.490.4616 (u. 8)
	VALVE ADJUSTMENT SHIM 466 0/005.490.4619 (u. 8)
	VALVE ADJUSTMENT SHIM 440 0/005.490.4606 (u. 8)
	VALVE ADJUSTMENT SHIM 454 0/005.490.4613 (u. 8)
	VALVE ADJUSTMENT SHIM 464 0/005.490.4618 (u. 8)
6	VALVE ADJUSTMENT SHIM 436 0/005.490.4604 (u. 8)
	VALVE ADJUSTMENT CUP 434 0/005.490.4603 (u. 8)
	VALVE ADJUSTMENT SHIM 438 0/005.490.4605 (u. 8)
	VALVE ADJUSTMENT CUP 450 0/005.490.4611 (u. 8)
	VALVE ADJUSTMENT SHIM 468 0/005.490.4620 (u. 8)
	VALVE ADJUSTMENT SHIM 470 0/005.490.4621 (u. 8)
	VALVE ADJUSTMENT BUCKET 442 0/005.490.4607 (u. 8)
	VALVE ADJUSTMENT BUCKET 458 0/005.490.4615 (u. 8)
	VALVE ADJUSTMENT SHIM 452 0/005.490.4612 (u. 8)
	VALVE ADJUSTMENT SHIM 446 0/005.490.4609 (u. 8)
	VALVE ADJUSTMENT CUP 432 0/005.490.4602 (u. 8)
7	INTAKE VALVE 0/000.640.4609 (u. 4)
8	INTAKE VALVE SPRING 0/000.470.4606 (u. 4)
9	SET CAMSHAFT EXHAUST 0/005.010.4601 (u. 1)
10	POSITIONING PIN 0/000.240.4604 (u. 2)
11	CAMSHAFT SPROCKET 0/005.400.4602 (u. 1)
12	CAMSHAFT SPROCKET SCREW 0/000.460.46058 (u. 4)
13	SET CAMSHAFT INTAKE 0/005.010.4602 (u. 1)

14

CAMSHAFT SPROCKET  
0/005.400.4602 (u. 1)

**DISTRIBUTION CHAIN ASSEMBLY**


**1** CAMSHAFT CHAIN TENSIONER  
0/000.380.4601 (u. 1)

**2** SCREW M6x25  
0/000.460.46068 (u. 2)

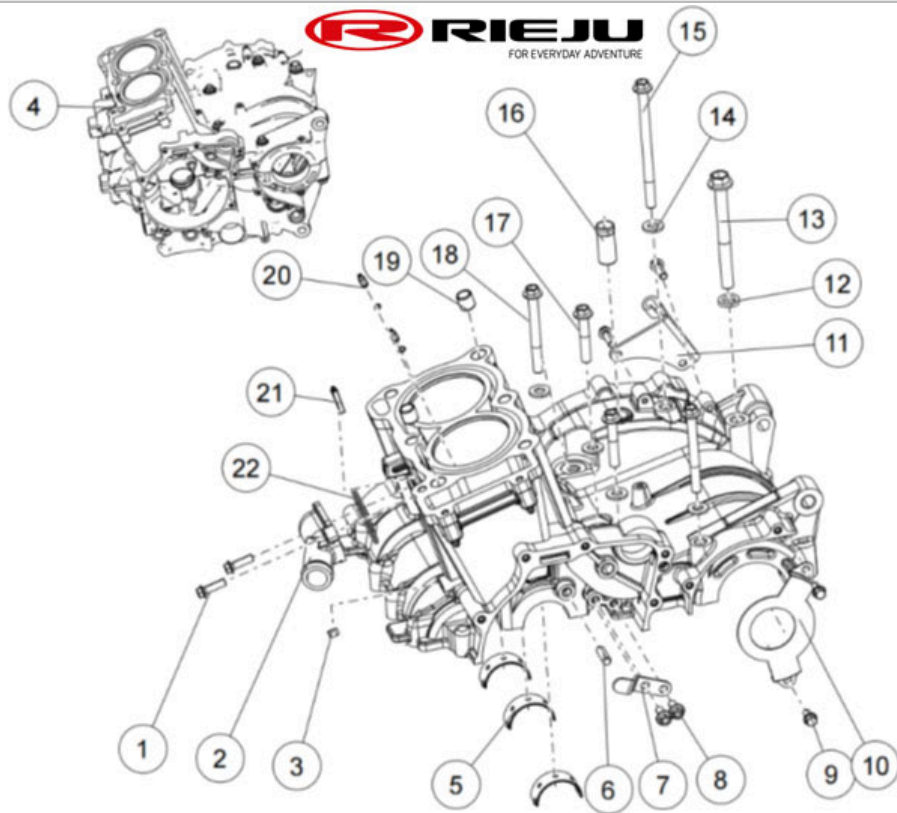
**3** CHAIN TENSIONNER GASKET  
0/000.440.46001 (u. 1)

**4** TIMING CHAIN GUIDE  
0/000.710.4601 (u. 1)

**5** CAMSHAFT CHAIN GUIDE  
0/000.710.4602 (u. 1)

**6** CHAIN GUIDE  
0/000.220.4612 (u. 1)

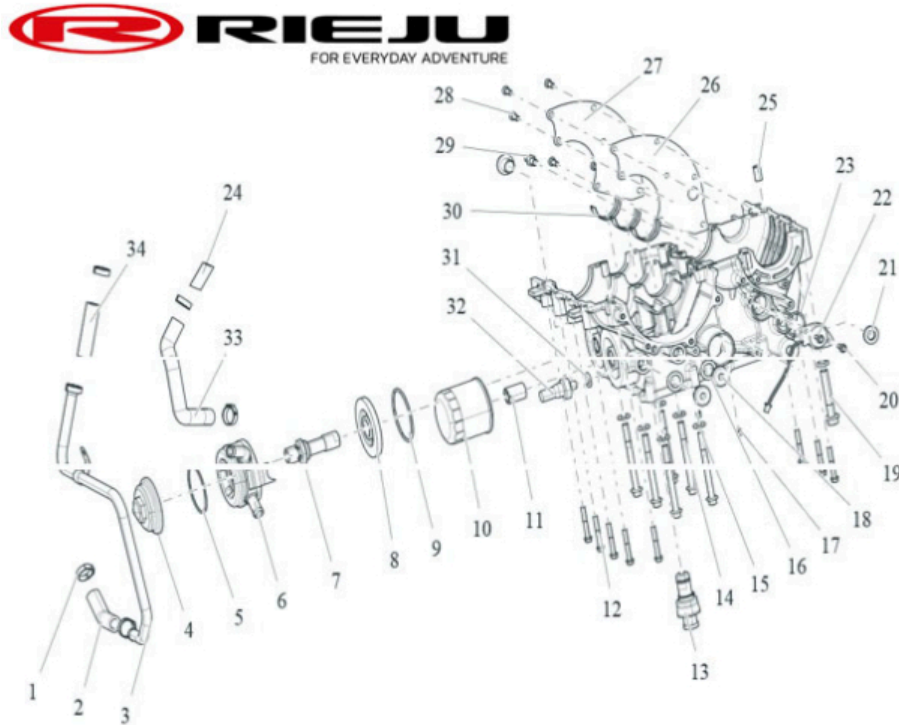
**7** CAMSHAFT CHAIN  
0/001.050.4602 (u. 1)

**CRANKCASE ASSEMBLY 1**


1	HEXAGON SOCKET SCREW M6x20 0/000.460.46072 (u. 4)
2	COOLANT INLET COVER 0/000.350.4610 (u. 1)
3	CAP 0/000.410.4617 (u. 1)
4	COMPLETE CRANKCASE 0/005.700.4601 (u. 1)
5	RED BEARING 0/000.960.4608 (u. 6)
6	CHAIN GUIDE PLATE PIN 0/000.240.4605 (u. 1)
7	PRESSURE PLATE 0/000.220.4613 (u. 1)
8	SCREW M6x14 0/000.460.46087 (u. 2)
9	INTERNAL HEXAGONAL SCREW M6x12 0/000.460.46070 (u. 2)
10	SEALING PLATE 0/000.220.4614 (u. 1)
11	CABLE SUPPORT 0/000.980.4640 (u. 1)
12	GASKET 11x18x3 0/000.490.4626 (u. 1)
13	SCREW M10x100 0/000.460.46063 (u. 1)
14	WASHER M8 0/000.440.46013 (u. 5)
15	SCREW M8x115 0/000.460.46064 (u. 1)

<b>16</b>	GASKET PIPE 0/000.490.4627 (u. 1)
<b>17</b>	SCREW M8x45 0/000.460.46065 (u. 2)
<b>18</b>	SCREW M8x75 0/000.460.46123 (u. 1)
<b>19</b>	CENTERING BUSHING 10.5x13x13 0/000.480.4628 (u. 2)
<b>20</b>	SCREW 0/000.460.46059 (u. 2)
<b>21</b>	RUBBER CAP 0/000.410.4618 (u. 1)
<b>22</b>	RING 46x2.4 0/000.300.4609 (u. 1)

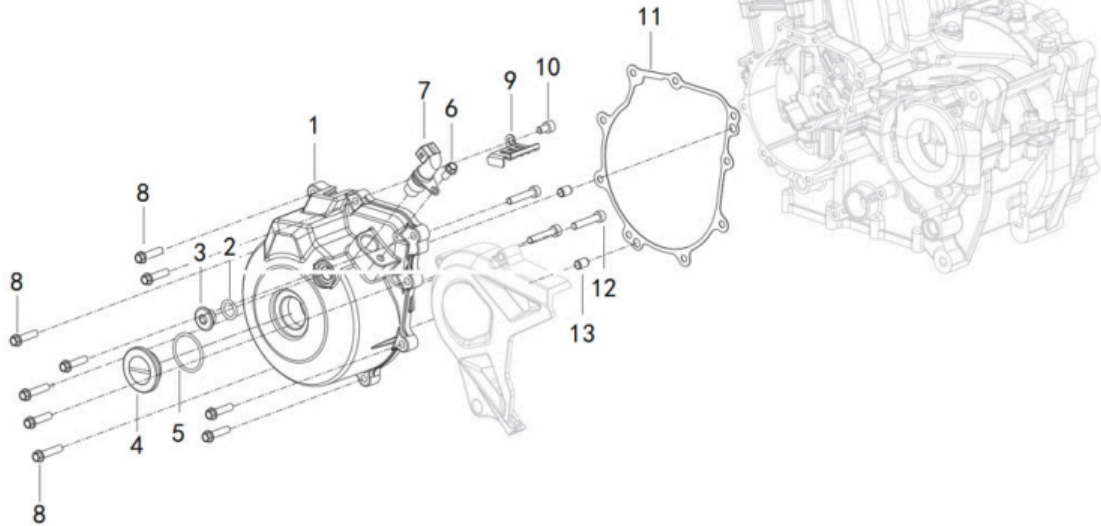
## CRANKCASE ASSEMBLY 2



1	OIL PIPE CLAMP 0/000.680.4617 (u. 6)
2	OIL TUBE 2 0/000.290.4626 (u. 1)
3	SET OIL PIPE 0/000.290.4628 (u. 1)
4	OIL PUMP COVER 0/000.350.4601 (u. 1)
5	O-RING 0/000.490.4601 (u. 1)
6	OIL EXCHANGER 0/000.860.4607 (u. 1)
7	OIL EXCHANGER SCREW 0/000.460.46062 (u. 1)
8	OIL EXCHANGER CONNECTOR 0/000.460.46061 (u. 1)
9	OIL FILTER O-RING 0/000.490.4605 (u. 1)
10	OIL FILTER 0/001.070.4601 (u. 1)
11	ADAPTER SCREW 0/000.460.46069 (u. 1)
12	HEXAGON SOCKET HEAD SCREW M6x40 0/000.460.46076 (u. 8)
13	REDUCING VALVE 0/000.640.4611 (u. 1)
14	SCREW M8x85 0/000.460.46093 (u. 6)
15	WASHER M8 0/000.440.46016 (u. 6)

16	WASHER M16 0/000.440.46015 (u. 3)
17	CAP 0/000.410.4619 (u. 2)
18	THREADED CAP M16 0/000.410.4620 (u. 3)
19	SCREW M10x60 0/000.460.46066 (u. 1)
20	SCREW M5x16 0/000.460.46067 (u. 2)
21	OIL SEAL 0/000.300.4610 (u. 1)
22	GEAR POSITION SENSOR 0/001.010.4611 (u. 1)
23	O-RING 25.8x2.65 0/000.490.4628 (u. 1)
24	OIL PIPE 0/000.290.4629 (u. 1)
25	CENTERING BUSHING 0/000.480.4629 (u. 2)
26	INTERNAL ENGINE GASKET 0/000.490.4639 (u. 1)
27	INTERNAL ENGINE SEPARATOR 0/000.480.4638 (u. 1)
28	SCREW M6x16 0/000.460.46098 (u. 7)
29	VARIATOR SPINDLE SHAFT 0/000.190.4617 (u. 1)
30	RED BEARING 0/000.960.4607 (u. 6)
31	GASKET 11x18x3 0/000.490.4626 (u. 2)
32	OIL PRESSURE MINIMUM SWITCH 0/000.460.46082 (u. 1)
33	OIL PIPE 3 0/000.290.4627 (u. 1)
34	OIL PIPE 1 0/000.290.4625 (u. 1)

## LEFT COVER ASSY.



**1** IGNITION COVER  
0/000.350.4611 (u. 1)

**2** GASKET CAP IGNITION COVER  
0/000.490.4631 (u. 1)

**3** IGNITION COVER CAP  
0/000.410.4621 (u. 1)

**4** IGNITION COVER CAP  
0/000.410.4622 (u. 1)

**5** GASKET CAP IGNITION COVER  
0/000.490.4629 (u. 1)

**6** INTERNAL HEXAGONAL SCREW M6x12  
0/000.460.46070 (u. 1)

**7** SENSOR PICKUP  
0/001.010.4612 (u. 1)

**8** INTERNAL HEXAGONAL SCREW M6x25  
0/000.460.46073 (u. 9)

**9** CLAMP PRESSURE  
0/000.680.4618 (u. 1)

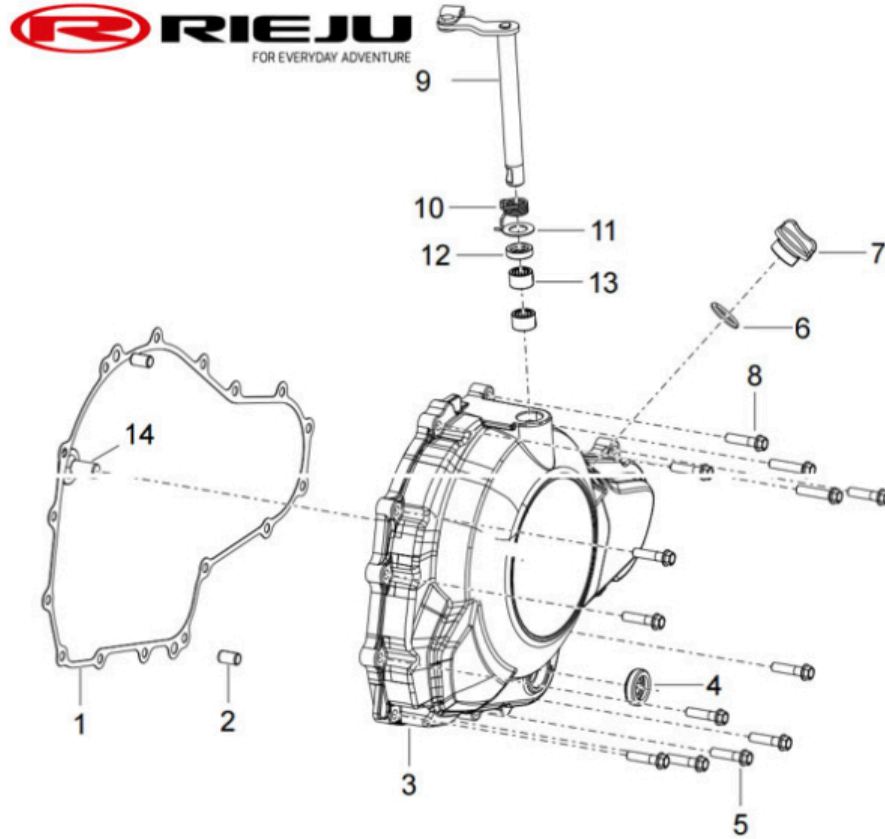
**10** SCREW M6x12  
0/000.460.46101 (u. 1)

**11** IGNITION COVER GASKET  
0/000.490.4630 (u. 1)

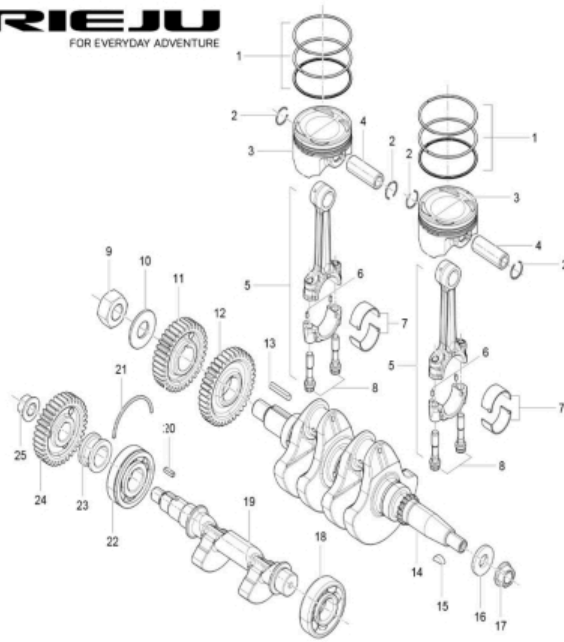
**12** SCREW M6x32  
0/000.460.46102 (u. 3)

**13** CENTERING BUSHING  
0/000.480.4630 (u. 2)

**RIGHT COVER ASSY.**



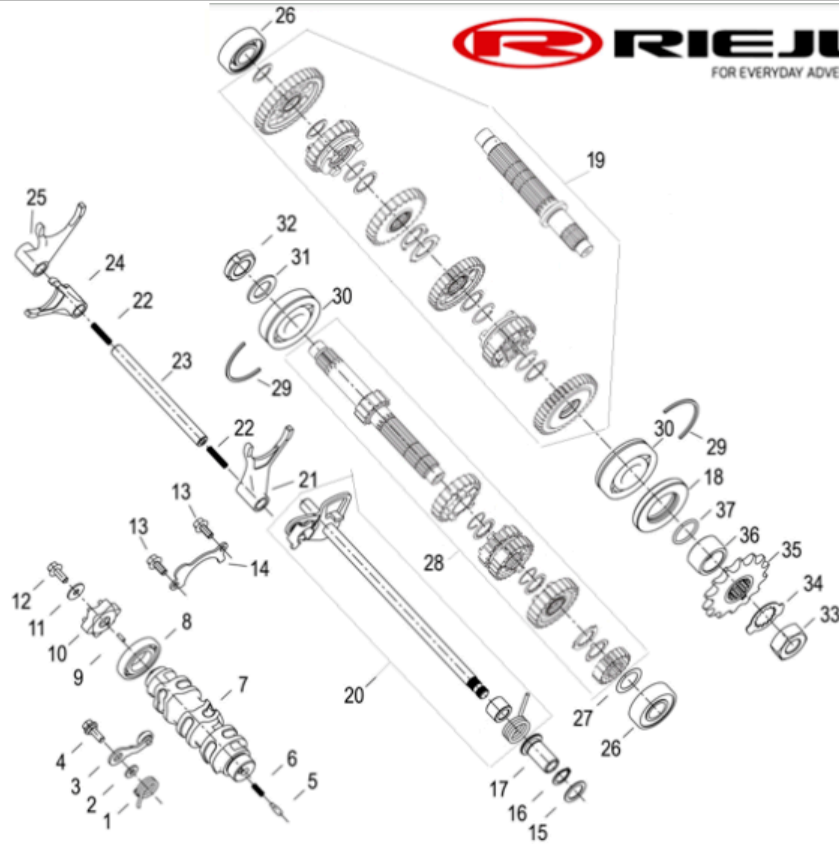
1	CLUTCH COVER GASKET 0/000.490.4632 (u. 1)
2	CENTERING BUSHING 0/000.480.4631 (u. 2)
3	CLUTCH COVER 0/000.350.4612 (u. 1)
4	OIL LEVEL GAUGE 0/000.410.4623 (u. 1)
5	INTERNAL HEXAGONAL SCREW M6x25 0/000.460.46073 (u. 14)
6	OIL CAP GASKET 0/000.490.4633 (u. 1)
7	OIL FILLER CAP 0/000.410.4624 (u. 1)
8	HEXAGON SOCKET SCREW M6x28 0/000.460.46074 (u. 2)
9	CLUTCH ROD 0/000.190.4611 (u. 1)
10	CLUTCH ROD SPRING 0/000.470.4607 (u. 1)
11	CLUTCH ROD WASHER 0/000.440.46017 (u. 1)
12	CLUTCH ROD SEAL 0/000.300.4611 (u. 1)
13	CLUTCH ROD BEARING 0/000.960.4609 (u. 2)
14	CENTERING BUSHING 0/000.480.4632 (u. 1)

**CRANKSHAFT - PISTON - CONNECTING ROD ASSEMBLY**


1	<b>PISTON RING SET</b> 0/000.300.4612 (u. 2)
2	<b>PISTON SHAFT CIRCLIP</b> 0/000.300.4613 (u. 4)
3	<b>PISTON</b> 0/005.711.4601 (u. 2)
4	<b>PISTON SHAFT</b> 0/000.190.4612 (u. 2)
5	<b>CONNECTING ROD SET</b> 0/005.380.4601 (u. 2)
6	<b>CONNECTING ROD PIN</b> 0/000.240.4606 (u. 4)
7	<b>BLUE BEARING</b> 0/000.960.4610 (u. 4) <b>GREEN BEARING</b> 0/000.960.4611 (u. 4)
8	<b>CRANKSCREW</b> 0/000.460.46079 (u. 4)
9	<b>NUT M18x1.5</b> 0/000.340.46022 (u. 1)
10	<b>CRANKSHAFT WASHER</b> 0/000.440.46018 (u. 1)
11	<b>BALANCE SPROCKET</b> 0/005.400.4604 (u. 1)
12	<b>PRIMARY CRANKSHAFT GEAR</b> 0/005.400.4603 (u. 1)
13	<b>PINION FIXING PIN</b> 0/000.240.4607 (u. 1)
14	<b>CRANKSHAFT</b> 0/005.380.4602 (u. 1)

15	CRANKSHAFT KEY 0/005.490.4622 (u. 1)
16	CRANKSHAFT WASHER 0/000.440.46019 (u. 1)
17	NUT M14 0/000.340.46021 (u. 1)
18	BEARING 6305/P63 0/000.960.4613 (u. 1)
19	BALANCE SHAFT 0/000.190.4613 (u. 1)
20	BALANCE SHAFT FIXING PIN 0/000.240.4608 (u. 1)
21	BALANCE SHAFT RING 0/000.300.4615 (u. 1)
22	BEARING 6305N/P53YB1 0/000.960.4612 (u. 1)
23	BALANCE SHAFT SPACER 0/000.480.4633 (u. 1)
24	BALANCE SHAFT SPROCKET 0/005.400.4605 (u. 1)
25	NUT M14x1.5 0/000.340.46023 (u. 1)

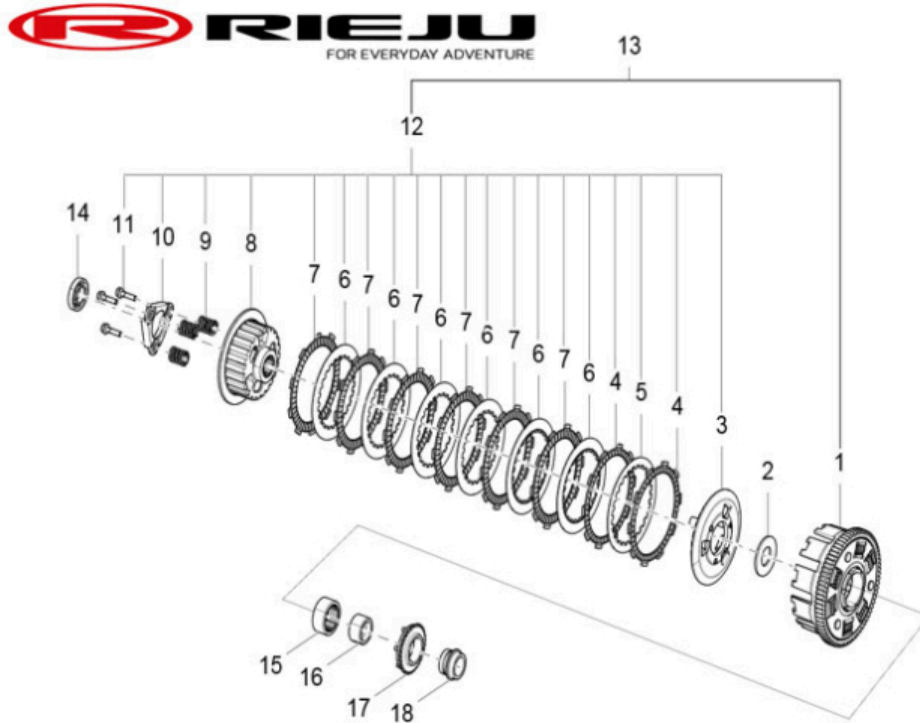
**GEAR SWITCHING**



1	GEAR RETAINING SPRING 0/000.470.4608 (u. 1)
2	GEAR RETAINER WASHER 0/000.440.46020 (u. 1)
3	GEAR FIXER 0/005.430.4602 (u. 1)
4	GEAR FIXING SCREW 0/000.460.46081 (u. 1)
5	DESMODROMIC PIN 0/000.240.4609 (u. 1)
6	DESMODROMIC SPRING 0/000.470.4609 (u. 1)
7	DESMODROMIC 0/005.090.4602 (u. 1)
8	DESMODROMIC BEARING 0/000.960.4615 (u. 1)
9	STAR DESMODRONIC PIN 0/000.240.4610 (u. 1)
10	DESMODRONIC STAR 0/005.090.4601 (u. 1)
11	DESMODRONIC WASHER 0/000.440.46024 (u. 1)
12	DESMODRONIC SCREW 0/000.460.46088 (u. 1)
13	SCREW M6x14 0/000.460.46094 (u. 2)
14	BEARING FIXING PLATE 0/000.220.4615 (u. 1)
15	SELECTOR SHAFT WASHER 0/000.440.46025 (u. 1)

16	CIRCLIP 17 0/000.300.4614 (u. 1)
17	SELECTOR SHAFT BUSHING 0/000.480.4634 (u. 1)
18	OIL SEAL 0/000.300.4601 (u. 1)
19	SET SECONDARY TRANSMISSION 0/005.400.4606 (u. 1)
20	SELECTOR SHAFT 0/000.190.4615 (u. 1)
21	LEFT CHANGE FORK 0/005.330.4601 (u. 1)
22	FORK SPRING CHANGE 0/000.470.4610 (u. 2)
23	FORK AXLE CHANGE 0/000.190.4614 (u. 1)
24	CENTER SHIFT FORK 0/005.330.4602 (u. 1)
25	RIGHT CHANGE FORK 0/005.330.4603 (u. 1)
26	BEARING 6204-Z 0/000.960.4614 (u. 2)
27	PRIMARY GEAR WASHER 0/000.440.46026 (u. 1)
28	PRIMARY GEAR SET 0/005.400.4607 (u. 1)
29	BALANCE SHAFT RING 0/000.300.4615 (u. 2)
30	BEARING 6305N/P53YB1 0/000.960.4612 (u. 2)
31	PRIMARY GEAR WASHER 0/000.440.46022 (u. 1)
32	PRIMARY GEAR NUT 0/000.340.46024 (u. 1)
33	NUT M18 0/000.340.46025 (u. 1)
34	LOCK WASHER DRIVE SPROCKET 0/000.440.46023 (u. 1)
35	DRIVE SPROCKET 0/005.400.4601 (u. 1)
36	AXLE BUSHING 25 0/000.480.4601 (u. 1)
37	O-RING 25X2.5 0/000.490.4603 (u. 1)

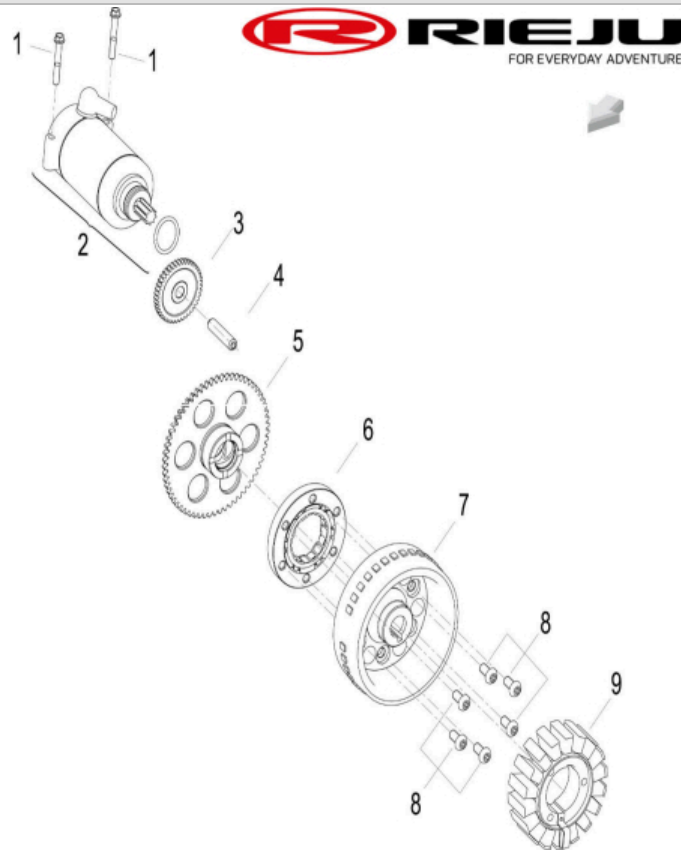
**CLUTCH SYSTEM**



1	<b>CLUTCH BELL</b> 0/000.017.4602 (u. 1)
2	<b>CLUTCH BELL WASHER</b> 0/000.440.46021 (u. 1)
3	<b>CLUTCH DRUM</b> 0/000.017.4603 (u. 1)
4	<b>FERODO DISC 1 (1pc)</b> 0/005.350.4601 (u. 2)
5	<b>CLUTCH SEPARATOR DISC 1 (1pc)</b> 0/005.350.4603 (u. 1)
6	<b>CLUTCH SEPARATOR DISC 2 (1 PC)</b> 0/005.350.4604 (u. 6)
7	<b>FERODO DISC 2 (1pc)</b> 0/005.350.4602 (u. 6)
8	<b>CLUTCH PRESSURE PLATE</b> 0/000.017.4604 (u. 1)
9	<b>CLUTCH SPRING (1 UNIT)</b> 0/000.470.4611 (u. 3)
10	<b>CLUTCH DIAPHRAGM</b> 0/000.017.4605 (u. 1)
11	<b>SCREW M6x25</b> 0/000.460.46089 (u. 3)
12	<b>CLUTCH SUBASSEMBLY</b> 0/000.017.4606 (u. 1)
13	<b>CLUTCH SET</b> 0/000.017.4601 (u. 1)
14	<b>BEARING 16004</b> 0/000.960.4617 (u. 1)
15	<b>CLUTCH BELL BEARING</b> 0/000.960.4616 (u. 1)

<b>16</b>	CLUTCH BELL BUSHING 0/000.480.4635 (u. 1)
<b>17</b>	OIL PUMP PINION 0/005.400.4608 (u. 1)
<b>18</b>	SPROCKET LOCKING DEVICE 0/000.460.46080 (u. 1)

## ELECTRIC START



1 HEXAGON SOCKET HEAD SCREW M6x40  
0/000.460.46076 (u. 2)

2 STARTER MOTOR  
0/005.480.4601 (u. 1)

3 STARTER MOTOR PINION  
0/005.400.4609 (u. 1)

4 STARTER PINION SHAFT  
0/000.190.4616 (u. 1)

5 STARTER PINION  
0/005.400.4610 (u. 1)

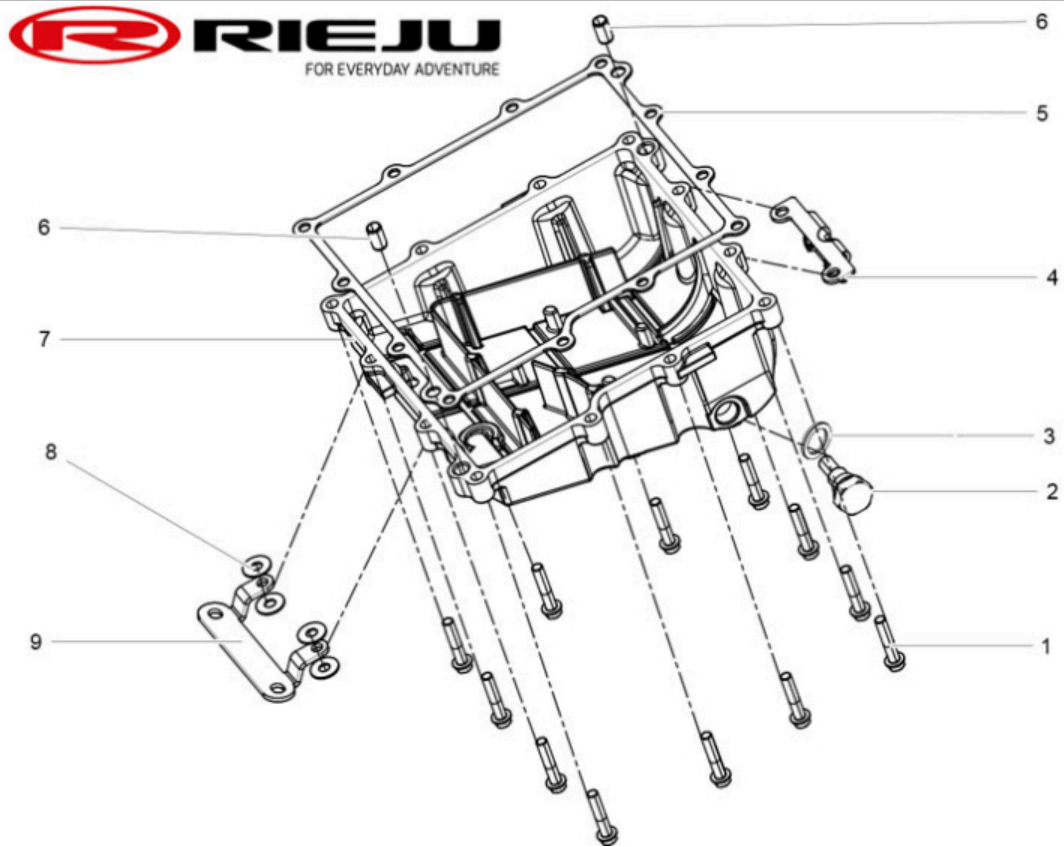
6 BEARING HOUSING / SUPPORT  
0/000.980.4644 (u. 1)

7 ROTOR  
0/005.820.4602 (u. 1)

8 SCREW M8x16  
0/000.460.46104 (u. 6)

9 SET OF STATOR  
0/005.820.4601 (u. 1)

## OIL PAN



1 INTERNAL HEXAGONAL SCREW M6x30  
0/000.460.46075 (u. 12)

2 OIL DRAIN BOLT (MAGNETIC)  
0/000.460.46011 (u. 1)

3 OIL DRAIN PLUG GASKET  
0/000.490.4602 (u. 1)

4 SUPPORT COVER CRANKCASE 2  
0/000.980.4642 (u. 1)

5 CRANKCASE GASKET  
0/000.490.4604 (u. 1)

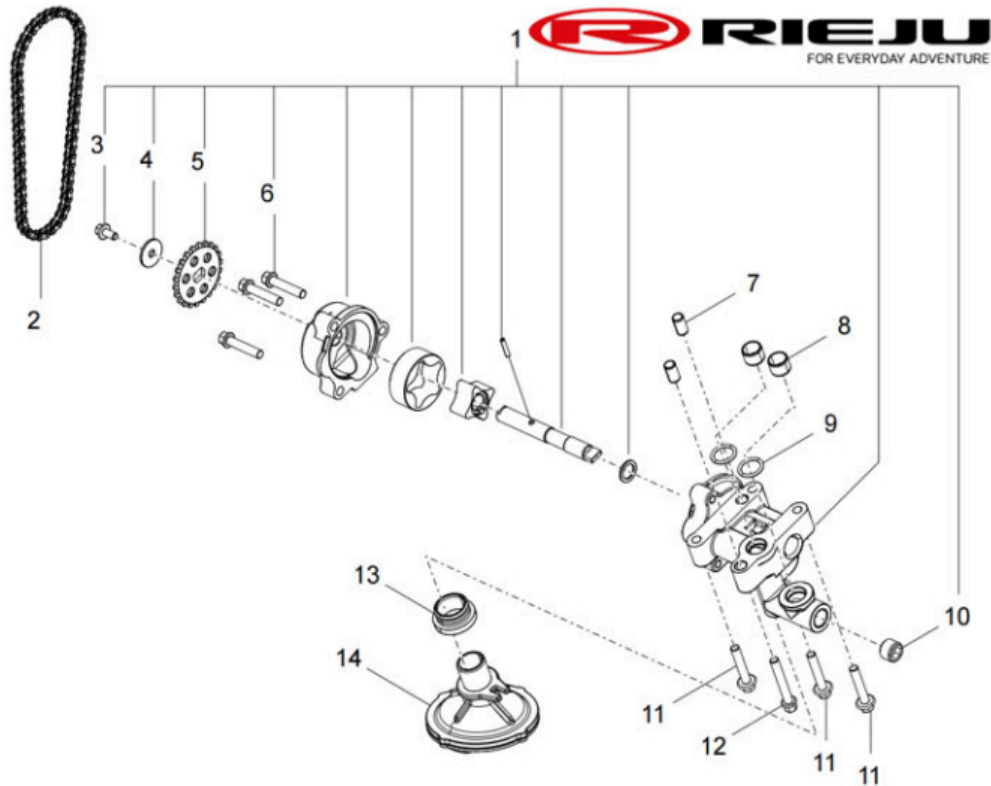
6 CENTERING BUSHING  
0/000.480.4631 (u. 2)

7 CARTER COVER  
0/000.350.4613 (u. 1)

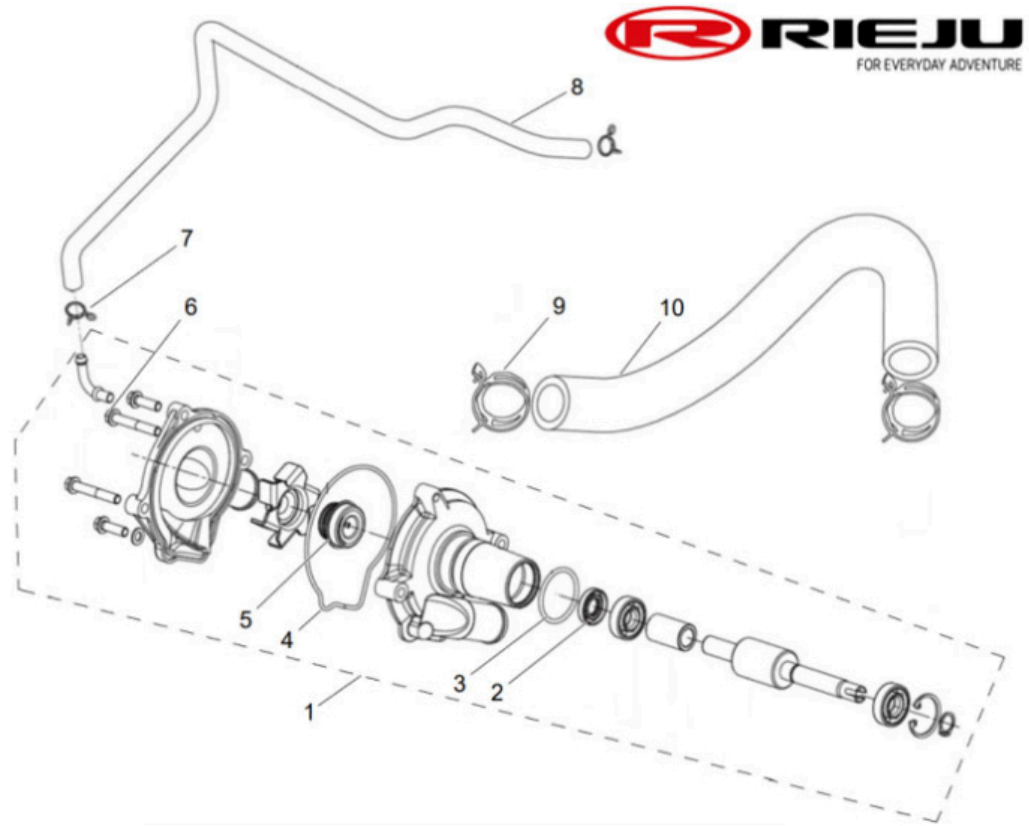
8 WASHER CRANKCASE COVER  
0/000.440.46027 (u. 4)

9 SUPPORT COVER CARTER 1  
0/000.980.4641 (u. 1)

**LUBRICATION SYSTEM**

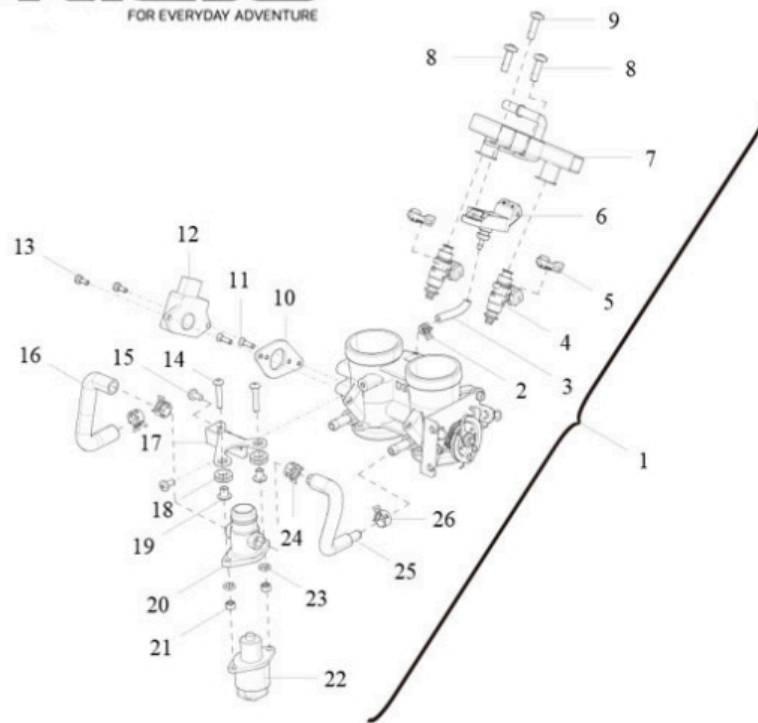


1	<b>OIL PUMP SET</b> 0/000.860.4601 (u. 1)
2	<b>OIL PUMP CHAIN</b> 0/001.050.4603 (u. 1)
3	<b>SCREW M5x18</b> 0/000.460.46086 (u. 1)
4	<b>OIL PUMP WASHER</b> 0/000.440.46028 (u. 1)
5	<b>OIL PUMP PINION</b> 0/005.400.4611 (u. 1)
6	<b>SCREW M6x30</b> 0/000.460.46090 (u. 3)
7	<b>CENTERING BUSHING</b> 0/000.480.4631 (u. 2)
8	<b>CENTERING BUSHING</b> 0/000.480.4636 (u. 2)
9	<b>OIL PUMP GASKET</b> 0/000.490.4634 (u. 2)
10	<b>CONICAL CENTERING TOOL</b> 0/000.460.46014 (u. 1)
11	<b>SCREW M6x32</b> 0/000.460.46091 (u. 3)
12	<b>SCREW M6x40</b> 0/000.460.46092 (u. 1)
13	<b>OIL PUMP THREAD</b> 0/000.460.46083 (u. 1)
14	<b>OIL PUMP COVER</b> 0/000.350.4614 (u. 1)

**COOLING SYSTEM**


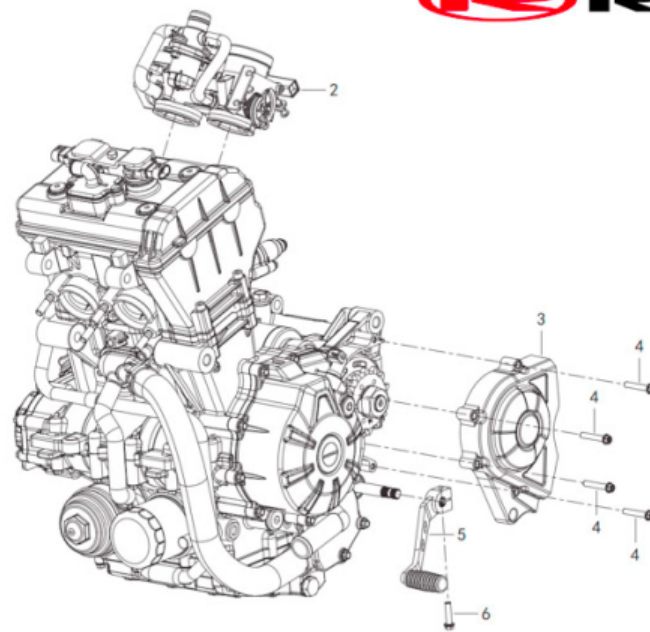
1	<b>WATER PUMP</b> 0/000.860.4602 (u. 1)
2	<b>WATER PUMP SEAL</b> 0/000.300.4616 (u. 1)
3	<b>WATER PUMP GASKET 33.5x2.65</b> 0/000.490.4636 (u. 1)
4	<b>WATER PUMP GASKET</b> 0/000.490.4635 (u. 1)
5	<b>WATER PUMP TURBINE SEAL</b> 0/000.490.4637 (u. 1)
6	<b>HEXAGON SOCKET HEAD SCREW M6x40</b> 0/000.460.46076 (u. 2)
7	<b>CLAMP Ø10</b> 0/000.680.4619 (u. 2)
8	<b>WATER PUMP PIPE</b> 0/000.290.4634 (u. 1)
9	<b>SPRING CLAMP Ø32</b> 0/000.680.4604 (u. 2)
10	<b>WATER PUMP INLET PIPE</b> 0/000.290.4633 (u. 1)

## INJECTION BODY



1	SET INJECTION BODY 0/005.158.4601 (u. 1)
2	CLAMP Ø7.5 0/000.680.4620 (u. 1)
3	INJECTION BODY PIPE 0/000.290.4630 (u. 1)
4	INJECTOR 0/005.158.4602 (u. 2)
5	INJECTOR SUPPORT 0/000.980.4601 (u. 2)
6	MAP SENSOR 0/001.010.4604 (u. 1)
7	INJECTOR RAIL 0/005.158.4603 (u. 1)
8	SCREW M5x16 0/000.460.46100 (u. 2)
9	SCREW M6x20 0/000.460.46084 (u. 1)
10	TPS GASKET 0/000.490.4638 (u. 1)
11	SCREW M4x12 0/000.460.46097 (u. 2)
12	TPS SENSOR 0/001.010.4613 (u. 1)
13	TPS SENSOR SCREW 0/000.460.46122 (u. 2)
14	SCREW M5x25 0/000.460.46096 (u. 2)
15	SCREW M5x14 0/000.460.46095 (u. 2)

16	INJECTION BODY TUBE 2 0/000.290.4631 (u. 1)
17	ENGINE SUPPORT PLATE INJECTION BODY 0/000.980.4643 (u. 1)
18	SILENTBLOCK 0/000.360.4619 (u. 2)
19	BUSHING 0/000.480.4637 (u. 2)
20	STEP-BY-STEP ENGINE TUBING 0/000.360.4622 (u. 1)
21	M5 NUT 0/000.340.46026 (u. 2)
22	STEP MOTOR 0/001.200.4601 (u. 1)
23	SPRING WASHER 5 0/000.440.46029 (u. 2)
24	CLAMP Ø14 0/000.680.4621 (u. 2)
25	INJECTION BODY TUBE 1 0/000.290.4632 (u. 1)
26	SPRING CLAMP Ø13 0/000.680.4603 (u. 2)

**COMPLETE ENGINE**


<b>2</b>	<b>SET INJECTION BODY</b> 0/005.158.4601 (u. 1)
<b>3</b>	<b>SPROCKET COVER</b> 0/000.350.4615 (u. 1)
<b>4</b>	<b>INTERNAL HEXAGONAL SCREW M6x30</b> 0/000.460.46075 (u. 4)
<b>5</b>	<b>GEAR LEVER</b> 0/005.430.4601 (u. 1)
<b>6</b>	<b>INTERNAL HEXAGONAL SCREW M6x25</b> 0/000.460.46073 (u. 1)